



FACEPLATE 45X45 mm FOR RJ45 KEYSTONE JACK

DESCRIPTION

The faceplates from barpa are especially design to RJ45 Keystone Jack applications and are compatible with all barpa UTP and STP connectors. They are easy to install and fit in all 45x45 mm formats. With shutters for dust protection and labeling windows for faceplate identification.



ROHS

STANDARDS

- IEC 60529; • IEC 60603-7; • IEC 60068-2; • IEC 61340-5-1:2007;
- IEC 60670-1:2005 + A1:2013; • Directive 2011/65/UE (RoHS).

TECHNICAL CHARACTERISTICS

Dimensions	45 x 45 x 38,6 mm
Color	White (RAL 9003)
Material	High Quality PC-ABS
Number of ports	1 and 2
Type	Flat
Style	45x45
Applied references	<ul style="list-style-type: none"> • barpa UTP Keystone Jack - 82242110180; 82242110090; 82242111180; 82242111090; 82243110180; 82243110090; 82243111180; 82243111090. • barpa STP Keystone Jack - 82242122180; 82243122180
Label Dimensions (mm)	20x6 (Template available on our website)

ENVIRONMENTAL CONDITIONS

Operating Temperature (°C)	0 to 50
Storage Temperature (°C)	-10 to 60

LOGISTIC INFORMATION

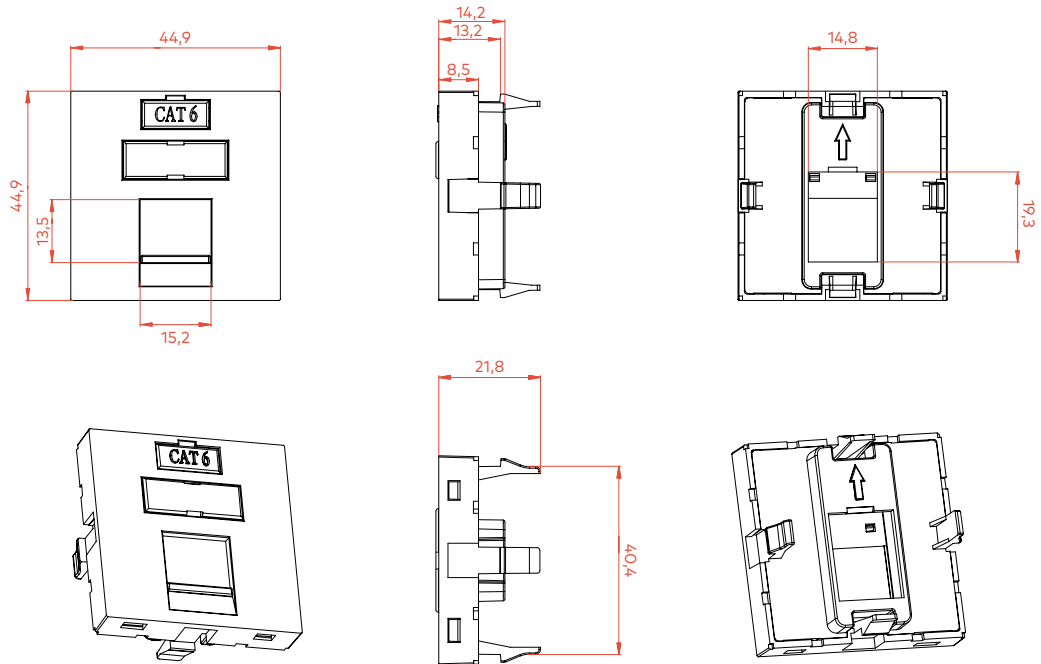
Code	Description	EAN	Polybag			Inner Box			Outer Box		
			Quant. (un)	Weight (kg)	Dimensions (mm)	Quant. (un)	Weight (kg)	Dimensions (mm)	Quant. (un)	Weight (kg)	Dimensions (mm)
82250110001	Faceplate 45x45 mm w/ 1 Port for Rj45 keystone Jack White (RAL9003)	5608445032096	1	0,01	90,0 x 38,6 x 132,0	20	0,30	230,0 x 90,0 x 90,0	320	6,00	380 x 240 x 365
82250110002	Faceplate 45x45 mm w/ 2 Port for Rj45 keystone Jack White (RAL9003)	5608445032102	1	0,01	90,0 x 38,6 x 132,0	20	0,30	230,0 x 90,0 x 90,0	320	6,00	380 x 240 x 365

This document is authored and owned by barpa. It is forbidden to reproduce in whole or in part without mentioning its authorship, as well as modification of its content or context. All specifications are subject to change without notice. The pictures/drawings are merely illustrative.

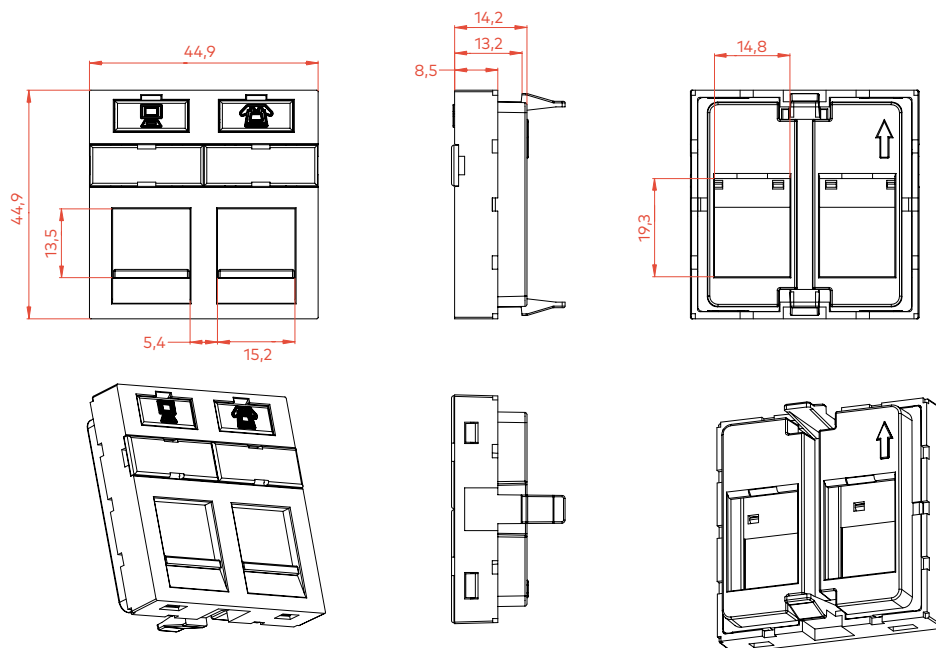
More information: info@barpa.eu or in www.barpa.eu

TECHNICAL DRAWING (mm)

1 PORT



2 PORT





FACEPLATE 45X45 mm
FOR RJ45 KEYSTONE JACK

PACKAGING

This images are merely illustratives. We want you to see the importance we attach to the packaging.
We always work with products and materials that are easy to use.

