



KEYSTONE JACK CAT.6A STP TOOLLESS

DESCRIPTION

The barpa Category 6A STP (Screened Twisted Pair) jack belongs to the barpa 10G cabling system. This jack has unique and simple design done to be easy for termination because is toolless but always thinking about excellent electrical performance. Supports all applications up to 500Mhz.

APPLICABLE STANDARDS

- IEC 60603-7-51; • IEC 60512-26-100; • ISO/IEC 11801 ed.2.2; • IEC 60512-99-001;
- IEC 60512-99-002; • IEC 60512-9-3; • EN50173-1; • ANSI/TIA-568-B.2-1;
- ANSI/TIA-568.2-D; • ANSI/TIA 1096-A.



FEATURES

Compatibility with CAT.6A and lower classes
25 Years System Warranty
10 Gigabit Ethernet
Easy to be terminated, low attenuation loss and high return loss
Suitable for patch panel and faceplate mounting
Compatibility with barpa faceplates
Included Instruction Manual; 1 bag of Copper Tape strips; 1 bag of cable ties; 1 bag of 24 aligners

MECHANICAL AND PHYSICAL SPECIFICATIONS

Shield Material	Zinc Alloy
IDC Contact	Nickle Plated
RJ45 Contact	Phosphor bronze with 50µ" gold plate
Color	Silver
Cable Way Out (Orientation)	180°
Wiring	T568A/B
Number of IDC contacts	8
IDC Contacts - Solid Cable	Accept 22-26 AWG solid with a insulation diameter of 0,4-0,6 mm
Insertion Life	750 times plugging
Plug Inforce (N)	15
Cable OD (mm)	5,0 - 8,5
IDC Contacts Life	250 times terminating

This document is authored and owned by barpa. It is forbidden to reproduce in whole or in part without mentioning its authorship, as well as modification of its content or context. All specifications are subject to change without notice. The pictures/drawings are merely illustrative.

More information: info@barpa.eu or in www.barpa.eu



KEYSTONE JACK
CAT.6A STP TOOLLESS

ELECTRICAL CHARACTERISTICS

Frequency Range (MHz)	1-500
Contact Resistance (mΩ Max)	200
Insulation Resistance (MΩ Min 500V DC)	500
Dielectric Strength (V RMS 60Hz/1min)	1000
Rated Current (A)	Maximum 1,5

ENVIRONMENTAL CONDITIONS

Operating Temperature (°C)	-10 to 60
Storage Temperature (°C)	-40 to 70

TECHNICAL PERFORMANCE

Frequency (MHz)	NEXT (GWC)	PS NEXT (GWC)	ACR (GWC)	RL (GWC)
1,00	0,40	83,30	79,80	25,00
4,00	0,80	73,60	71,60	39,00
8,00	1,10	73,00	71,60	32,50
10,00	1,20	67,90	65,20	29,10
16,00	1,60	63,30	60,70	34,90
20,00	1,80	68,30	65,50	27,80
25,00	2,00	66,60	64,20	27,60
31,25	2,20	64,70	62,00	31,60
62,50	3,20	53,00	50,20	26,80
100,00	4,10	52,90	50,60	28,30
200,00	5,90	43,10	42,40	20,90
250,00	6,80	43,10	40,60	14,90
350,00	8,40	36,60	35,40	16,40
500,00	10,70	32,50	30,70	14,90

GWC = Guaranteed Worst Case

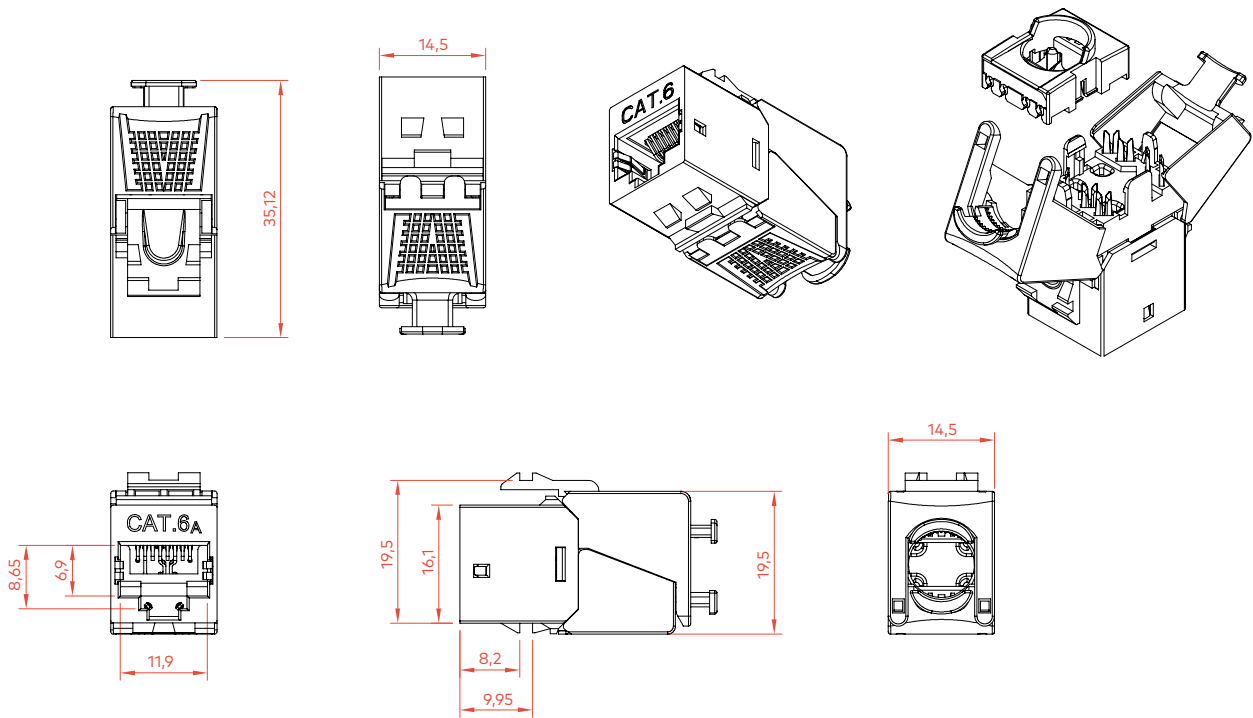
ORDER INFORMATION

				Inner Box			Outer Box		
Code	EAN	Description	Unit Weight (kg)	Quantity (un)	Dimensions (mm)	Weight (kg)	Quantity (un)	Dimensions (mm)	Weight (kg)
82243122180	5608445032072	Keystone Jack Cat.6A STP Silver Toolless	0,02	24	223x120x42	0,65	504	380x240x365	15,00

This document is authored and owned by barpa. It is forbidden to reproduce in whole or in part without mentioning its authorship, as well as modification of its content or context. All specifications are subject to change without notice. The pictures/drawings are merely illustrative.

More information: info@barpa.eu or in www.barpa.eu

TECHNICAL DRAWING (mm)



PACKAGING

This images are merely illustratives. We want you to see the importance we attach to the packaging.
We always work with products and materials that are easy to use.



As part of our goal to achieve quality excellence, our barpa System Warranty can give you 25 years products and solution assurance of compliance with the industry performance standard comparing with the class installed. This warranty applies to network infrastructure installations that was made by an approved barpa partner using an barpa solution (end-to-end). For more informations go to our website.