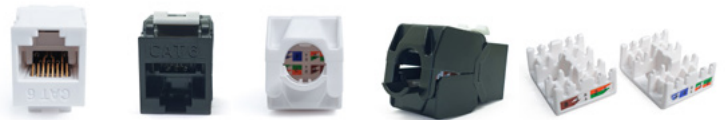




KEYSTONE JACK CAT.6 UTP TOOLLESS

DESCRIPTION

The barpa Category 6 UTP (Unscreened Twisted Pair) jack belongs to the barpa cabling system. This jack as an unique and tested to the latest Category 6 specifications defined in the Internacional standards. Support all applications up to 250MHz.



APPLICABLE STANDARDS

- IEC 60603-7-4; • IEC 60512-26-100; • ISO/IEC 11801 ed.2.2; • IEC 60512-99-001; • IEC 60512-99-002; • IEC 60512-9-3; • EN50173-1; • ANSI/TIA-568-B.2-1; • ANSI/TIA-568.2-D; • ANSI/TIA 1096-A.



FEATURES

Compatibility with CAT6 and lower classes
25 Years System Warranty
1 Gigabit Ethernet
Easy to be terminated, low attenuation loss and high return loss
Suitable for patch panel and faceplate mounting
Compatibility with barpa faceplates
Included instruction manual; 1 bag of cable ties; 1 bag of 24 aligners

MECHANICAL AND PHYSICAL SPECIFICATIONS

Housing Material	High temperature thermoplastic
IDC Contact	Nickle Plated
RJ45 Contact	Phosphor bronze with 50µ" gold plate
Colors	White; Black
Cable Way Out (Orientation)	180°
Wiring	T568A/B
Number of IDC contacts	8
IDC Contacts - Solid Cable	Accept 22-26 AWG solid with a insulation diameter of 0,4-0,6 mm
Insertion Life	750 times plugging
Plug Inforce (N)	15
Cable OD (mm)	5,0 - 8,5
IDC Contacts Life	250 times terminating

This document is authored and owned by barpa. It is forbidden to reproduce in whole or in part without mentioning its authorship, as well as modification of its content or context. All specifications are subject to change without notice. The pictures/drawings are merely illustrative.

More information: info@barpa.eu or in www.barpa.eu



KEYSTONE JACK
CAT.6 UTP TOOLLESS

ELECTRICAL CHARACTERISTICS

Frequency Range (MHz)	1-250
Contact Resistance (mΩ Max)	200
Insulation Resistance (MΩ Min 500V DC)	500
Dielectric Strength (V RMS 60Hz/1min)	1000
Rated Current (A)	Maximum 1,5

ENVIRONMENTAL CONDITIONS

Operating Temperature (°C)	-10 to 60
Storage Temperature (°C)	-40 to 70

TECHNICAL PERFORMANCE

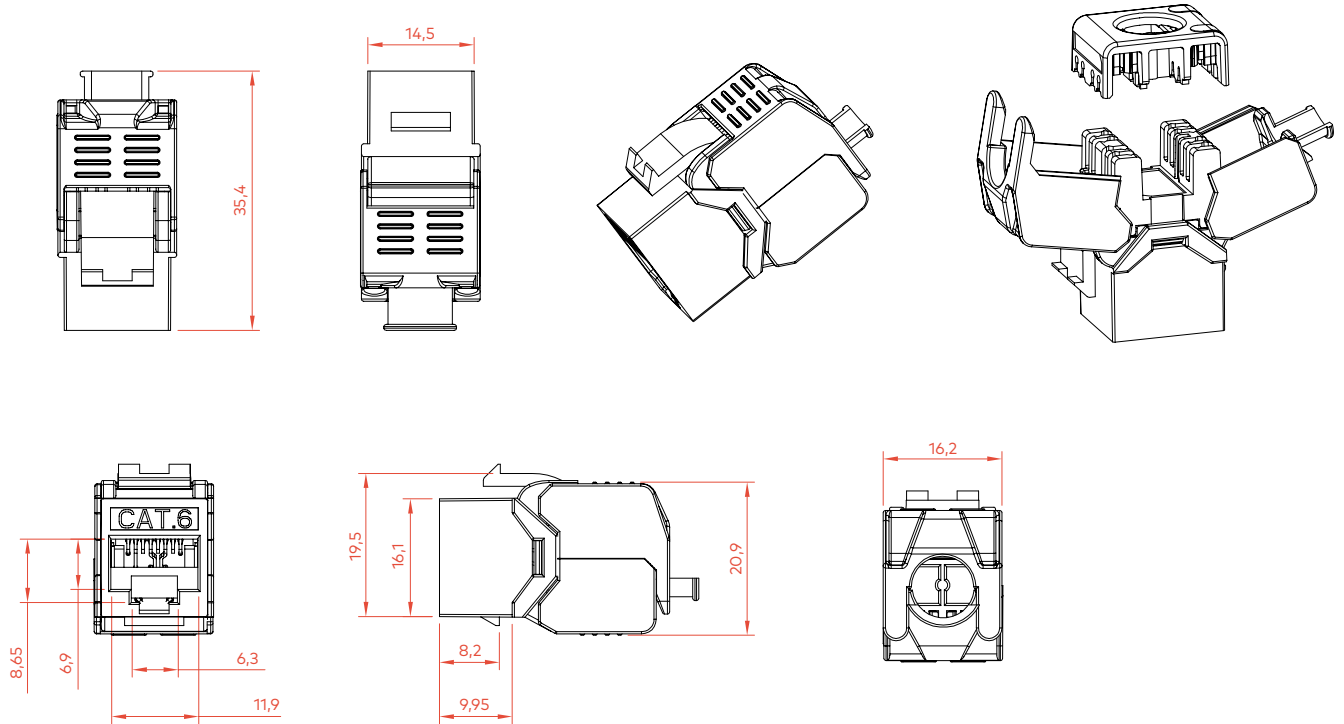
Frequency (MHz)	NEXT (GWC)	PS NEXT (GWC)	ACR (GWC)	RL (GWC)
1,00	0,40	83,10	77,30	24,80
4,00	0,80	73,70	70,70	38,90
8,00	1,10	73,30	67,50	35,50
10,00	1,20	68,30	64,30	29,90
16,00	1,60	63,70	60,50	31,40
20,00	1,80	68,50	61,60	28,50
25,00	2,00	67,30	59,90	29,00
31,25	2,20	65,20	58,40	33,20
62,50	3,20	53,00	49,40	29,20
100,00	4,10	52,90	48,10	25,30
200,00	5,90	43,30	44,00	20,10
250,00	6,80	43,20	40,40	14,80

GWC = Guaranteed Worst Case

ORDER INFORMATION

Code	EAN	Description	Unit Weight (kg)	Inner Box			Outer Box		
				Quantity (un)	Dimensions (mm)	Weight (kg)	Quantity (un)	Dimensions (mm)	Weight (kg)
82242110180	5608445031987	Keystone Jack Cat.6 UTP White Toolless	0,01	24	223 x 120 x 42	0,30	504	380 x 240 x 365	8,00
82242111180	5608445032003	Keystone Jack Cat.6 UTP Black Toolless	0,01	24	223 x 120 x 42	0,30	504	380 x 240 x 365	8,00

TECHNICAL DRAWING (mm)



PACKAGING

This images are merely illustratives. We want you to see the importance we attach to the packaging.
We always work with products and materials that are easy to use.



As part of our goal to achieve quality excellence, our barpa System Warranty can give you 25 years products and solution assurance of compliance with the industry performance standard comparing with the class installed. This warranty applies to network infrastructure installations that was made by an approved barpa partner using an barpa solution (end-to-end). For more informations go to our website.