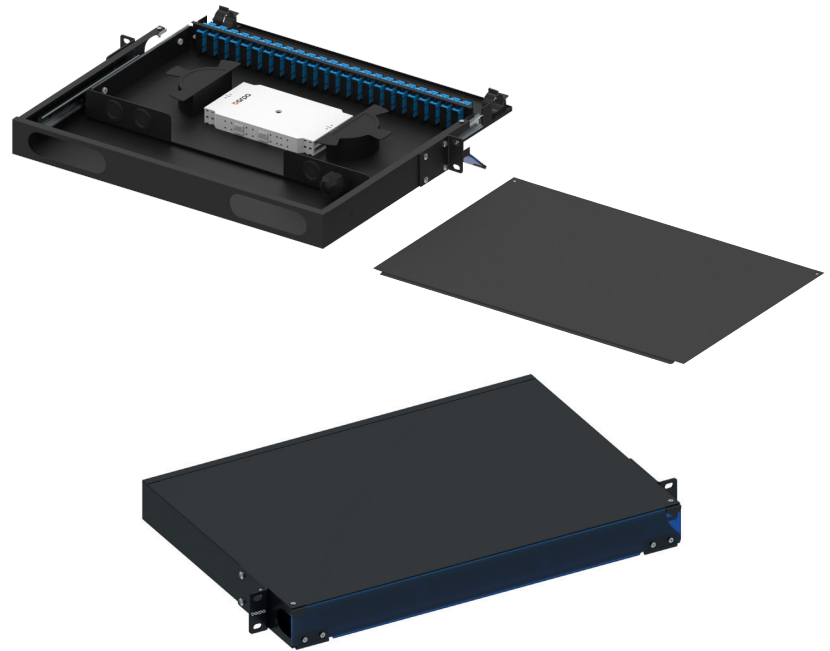




PATCH PANEL WITH CABLE MANAGEMENT

DESCRIPTION

barpa Fiber Optic Patch Panel with cable management is a standard 19". Supplied with pre-configured front panel for fast and easy installation. With a high quality material, transparent cover and a good dust-proof, it's used for manage optical fiber terminations and splices up to 48 fibers in 1U of rack space. With a sliding drawer design for easy access and with cable management and front cover, the panel are available in black colour.



STANDARDS

• EIA 19-inch.

FEATURES

Adapter Type	SC Duplex / SC Simplex
Thickness (mm)	1.2
Material	Steel
Color	Black (RAL9005)
Dimension (mm)	485x302x43
Admissible Quantity of Splice Cassettes	4
Number of Splices per Cassete	12
Weight (kg)	4.6
Max Diameter of Cable (mm)	22
Durability	Min. 500 Insertions

ACCESSORIES INCLUDED

One pre-installed splice cassette
6 small cable ties
Stick with fiber attention
2 cable glands (one big and one small)
4 cage nut fixing set
12 black covers for unused port

ORDER INFORMATION

Code	Description	Capacity (Fibers)	Unit Weight (kg)	Inner Box		Carton Box	
				Size (mm)	Quantity (un)	Size (mm)	Quantity (un)
81501010201	Patch Panel With Cable Management for 24 SC Duplex	48	4.6	520x360x85	1	530x380x280	3
81501010202	Patch Panel With Cable Management for 24 SC Simplex	24					

TECHNICAL DRAWING (mm)

