



PRODUCT DESCRIPTION

- barpa connection kit for Norma or Cetus cabinet was thought to give a better management of your network datacenter.

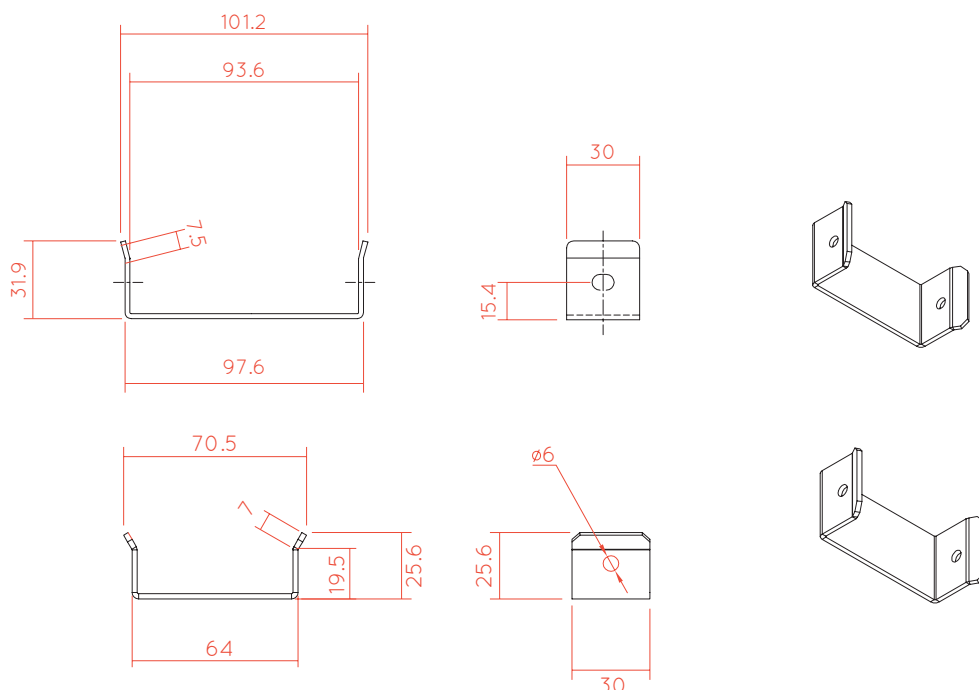
• FEATURES

Material	SPCC Cold Rolled Steel
Color	For Norma - RAL 9004 For Cetus - RAL 7002

• ORDER INFORMATION

Code	Description	Unit Weight (Kg)	Inner Box		EAN
			Size (mm)	Quantity (un)	
82391104002	For Cetus	0,29	180x50x48	4	5608445013880
82391104001	For Norma	0,29	180x50x48	4	5608445013873

TECHNICAL DRAWING (mm):



This document is authored and owned by barpa. It is forbidden to reproduce in whole or in part without mentioning its authorship, as well as modification of its content or context. All specifications are subject to change without notice. The pictures/drawings are merely illustrative.

More information: info@barpa.eu or in www.barpa.eu

datasheet n° b111