

PYXIS 1

DESCRIPTION

barpa Pyxis 1 cabinet was designed for network rooms with low ventilation. It's available in a range of heights and accommodates a load of up to 250 kg. The best way to get the most of this cabinet is with barpa accessories, you should get them separately.

STANDARDS

• ANSI/EIA RS-310-D; • IEC 60297-2; • DIN 41494 Parte 1 and 7.



SPECIFICATIONS

Material	SPCC Cold Rolled Steel; Column: 1.5mm. Others 2.0mm
Loading Capacity (kg)	250
Color	Black (RAL9004)
Ventilation (%)	100
Product Family	Series Pyxis

FEATURES

Modular design, easily assemble and disassemble for delivery, low-cost
Many optional accessories according to requirements (cable management slot, removable working panel, etc.)

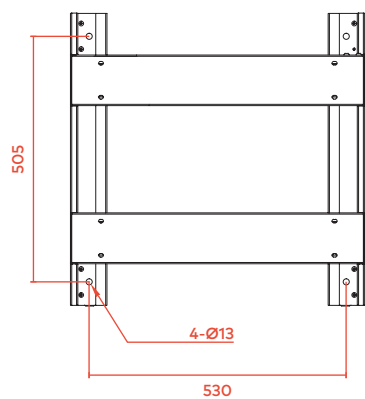
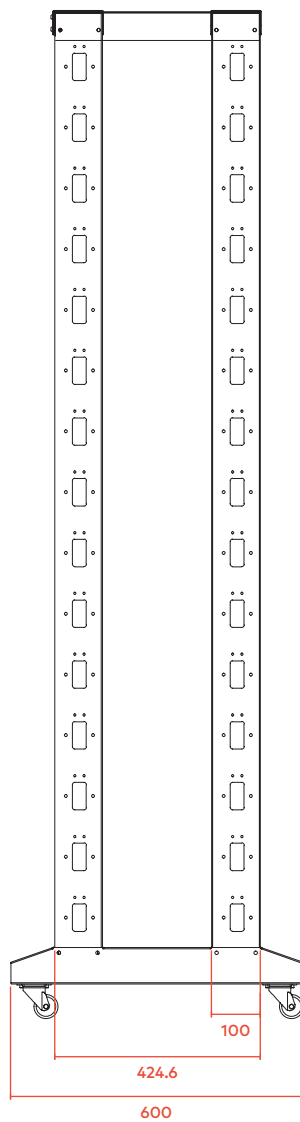
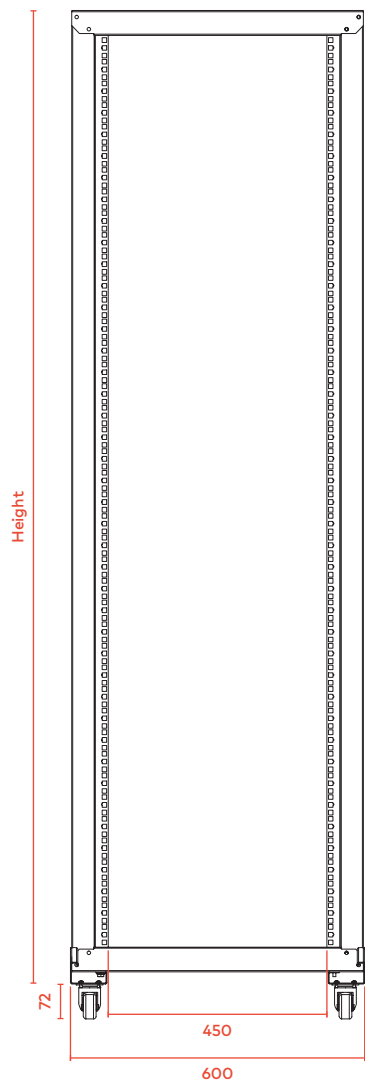
ORDER INFORMATION

Code	U	Width	Length	Dimensions (mm)	
				Pack 1	Pack 1
82331290606	29	600	600	1420x280x140	30
82331330606	33			1600x280x140	32
82331380606	38			1820x280x140	35
82331420606	42			2000x280x140	36
82331470606	47			2220x280x140	40

ORDER INFORMATION - PYXIS 1

Pack	Description	Quantity
1	Column	4
	Plinth	2
	Support Cross Beam	2
	Castors	4
	Screw and Nuts	20 Sets (24U-33U) 40 Sets (38U-47U)
	Tools	1pc spanner

TECHNICAL DRAWING (mm)



Code	Height
82331290606	1420
82331330606	1600
82331380606	1820
82331420606	2000
82331470606	2220