

SC ADAPTER

DESCRIPTION

- High reliability and precision alignment;
- Easy to use;
- Can be widely used for FTTX, passive optical network (OPN) and cable TV network (CATV);
- Low Insertion loss and return loss;
- Good repeatability, changeability and temperature stabilization;
- Dust protections caps;
- Allow fitting in the bulkheads either with a nut or with clips.

STANDARDS:

• ISO/IEC 11801; EN 50173-1; IEC 61754-1; IEC 61753-1; IEC 61300.



SC ADAPTER

OPERATING PERFORMANCE

| | SINGLEMODE | | MULTIMODE |
|------------------------------|-------------------|-------------------|--------------------------------------|
| | UPC | APC | UPC |
| Insertion Loss (dB) | < 0.2 | < 0.2 | < 0.2 |
| Durability (500 Mating) (dB) | < 0.2 | < 0.2 | < 0.2 |
| Operation Temperature (oC) | -40 to 80 | -40 to 80 | -40 to 80 |
| Retention Force (N) | 200-600 | 200-600 | 200-600 |
| Housing Material | Ceramic | Ceramic | Ceramic |
| Mounting Style | Clip / Screws | Clip / Screws | Clip / Screws |
| Sleeve Alignment Material | Ceramic (Grade A) | Ceramic (Grade A) | Ceramic (Grade A) |
| Color | Blue | Green | OM1/OM2: Gray; OM3: Aqua; OM4:Purple |

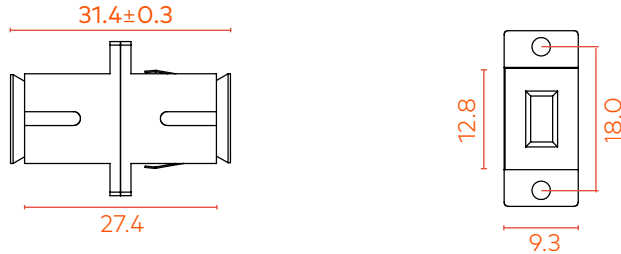
ORDER INFORMATION

| Code | Description | Conector | Category | Simplex/Duplex | Color | Quantity (un) |
|-------------|--|----------|----------|----------------|--------|---------------|
| 81410213010 | Adapter OM2 SC Simplex | SC | OM2 | Simplex | Gray | 24 |
| 81412023010 | Adapter OM2 SC Duplex | SC | OM2 | Duplex | Gray | 19 |
| 81411024030 | Adapter OM3 SC Simplex | SC | OM3 | Simplex | Aqua | 24 |
| 81412024030 | Adapter OM3 SC Duplex | SC | OM3 | Duplex | Aqua | 19 |
| 81411025060 | Adapter OM4 SC Simplex | SC | OM4 | Simplex | Purple | 24 |
| 81412025060 | Adapter OM4 SC Duplex | SC | OM4 | Duplex | Purple | 19 |
| 81411021040 | Adapter OS2 SC Simplex | SC | OS2 | Simplex | Blue | 24 |
| 81412021040 | Adapter OS2 SC Duplex | SC | OS2 | Duplex | Blue | 19 |
| 81412121040 | Adapter OS2 SC Duplex without Flange | SC | OS2 | Duplex | Blue | 20 |
| 81411011050 | Adapter OS2 SC/APC Simplex | SC/APC | OS2 | Simplex | Green | 24 |
| 81412011050 | Adapter OS2 SC/APC Duplex | SC/APC | OS2 | Duplex | Green | 19 |
| 81412131050 | Adapter OS2 SC/APC Duplex without Flange | SC/APC | OS2 | Duplex | Green | 20 |
| 81411091050 | Adapter OS2 SC/APC Simplex with Cover | SC/APC | OS2 | Simplex | Green | 24 |
| 81412091050 | Adapter OS2 SC/APC Duplex with Cover | SC/APC | OS2 | Duplex | Green | 19 |
| 81411111050 | Adapter OS2 SC/APC Simplex with Cover without Flange | SC/APC | OS2 | Simplex | Green | 50 |

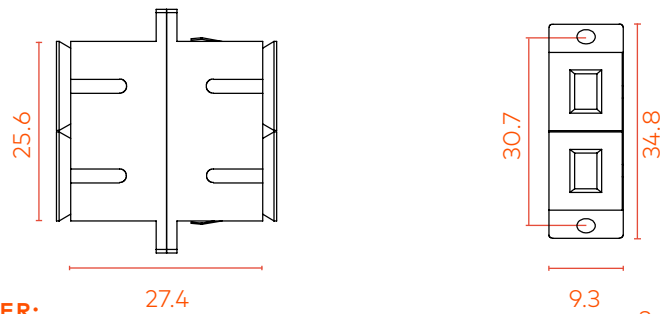
SC ADAPTER

TECHNICAL DRAWING (mm)

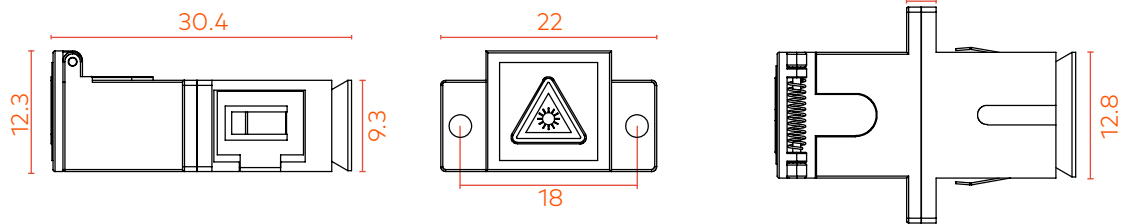
ADAPTER OS2 SC/APC SIMPLEX:



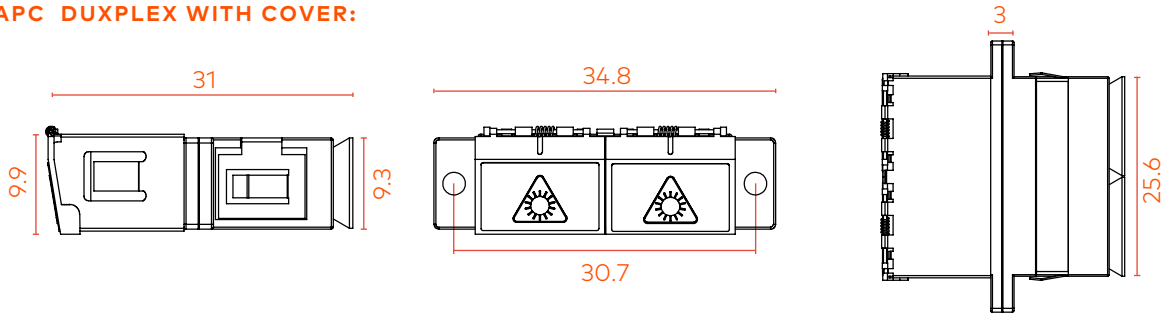
ADAPTER OS2 SC/APC DUPLEX:



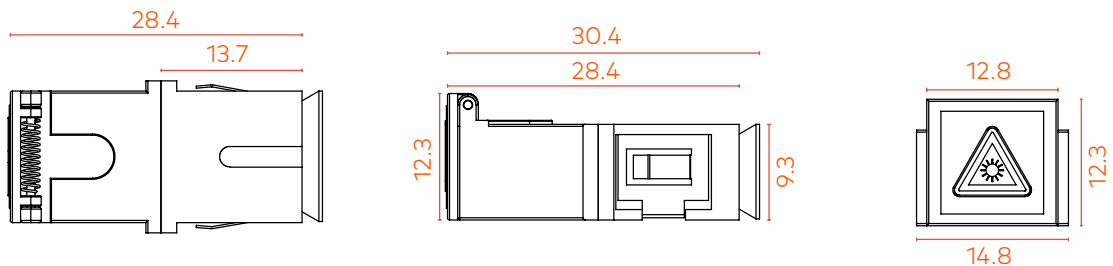
OS2 SC/APC SIMPLEX WITH COVER:



OS2 SC/APC DUPLEX WITH COVER:



OS2 SC/APC SIMPLEX WITH COVER WITHOUT FLANGE:



As part of our goal to achieve quality excellence, our barpa System Warranty can give you 25 years products and solution assurance of compliance with the industry performance standard comparing with the class installed. This warranty applies to network infrastructure installations that was made by an approved barpa partner using an barpa solution (end-to-end). For more informations go to our website.