



## FIBER OPTIC PATCH PANEL WITH CABLE MANAGEMENT

### DESCRIPTION

barpa Fiber Optic Patch Panel with cable management is a standard 19". Supplied with pre-configured front panel for fast and easy installation. With a high quality material, transparent cover and a good dust-proof, it's used for manage optical fiber terminations and splices up to 48 fibers in 1U of rack space. With a sliding drawer design for easy access and with cable management and front cover, the panel are available in black colour.



### APPLICABLE STANDARDS

• EIA 19-inch.

ROHS

### FEATURES

|   |                        |
|---|------------------------|
| Adapter Type                            | SC Duplex / SC Simplex |
| Thickness (mm)                          | 1,2                    |
| Material                                | Aço                    |
| Color                                   | Black (RAL9005)        |
| Dimension (mm)                          | 483x303x46             |
| Admissible Quantity of Splice Cassettes | 4                      |
| Number of Splices per Cassete           | 12                     |
| Weight (kg)                             | 4,6                    |
| Max Diameter of Cable (mm)              | 22                     |

### ACCESSORIES INCLUDED

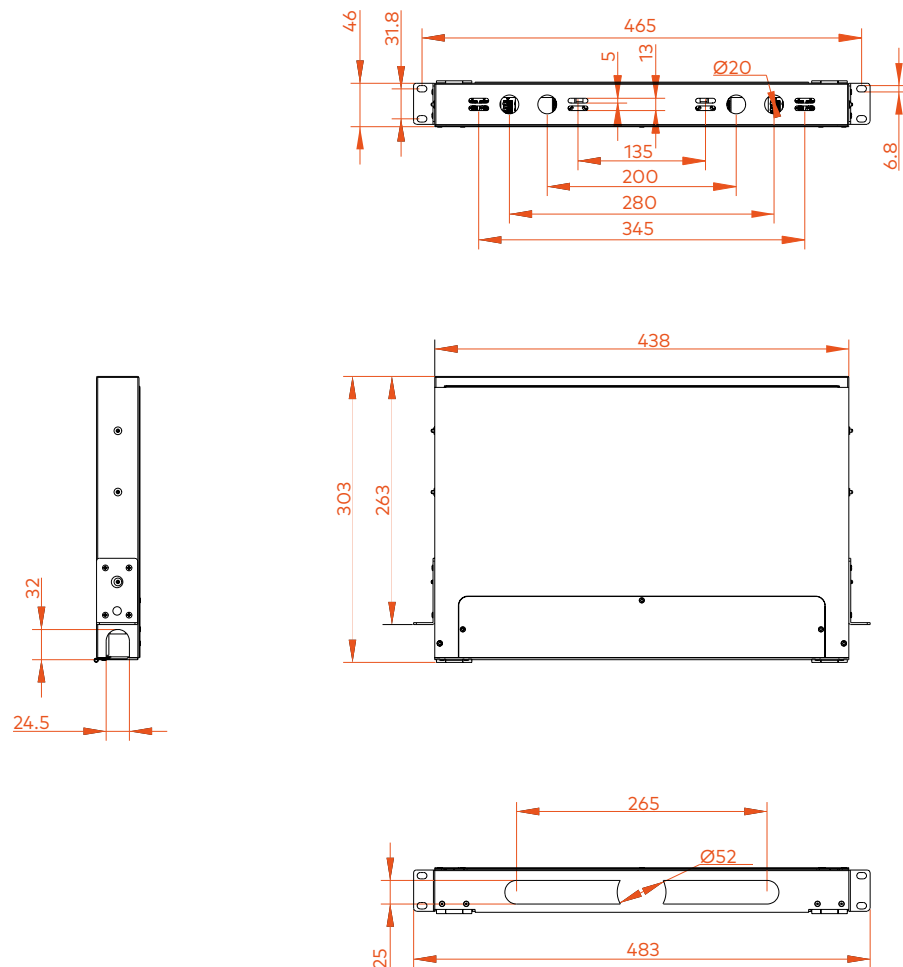
|                                   |
|-----------------------------------|
| One pre-installed splice cassette |
| 6 small cable ties                |
| Stick with fiber attention        |
| 12 Black covers for unused port   |

### ORDER INFORMATION

| Code        | Description  | Capacity<br>(Fibers) | Unit Weight<br>(kg) | Caixa Interior |                  | Caixa Exterior |                  |
|-------------|--|----------------------|---------------------|----------------|------------------|----------------|------------------|
|             |  |                      |                     | Size<br>(mm)   | Quantity<br>(un) | Size<br>(mm)   | Quantity<br>(un) |
| 81501010301 | Patch Panel with Cable Management<br>for 24 SC Duplex V1 * | 48                   | 4,6                 | 520x360x85     | 1                | 530x380x280    | 3                |
| 81501010302 | Patch Panel with Cable Management<br>for 24 SC Simplex V1  | 24                   |                     |                |                  |                |                  |

\* This version can only use SC Duplex without flange 81412121040 or 81412131050 (SC/APC)

### TECHNICAL DRAWING (mm)





## FIBER OPTIC PATCH PANEL WITH CABLE MANAGEMENT

---

### PACKAGING

---

