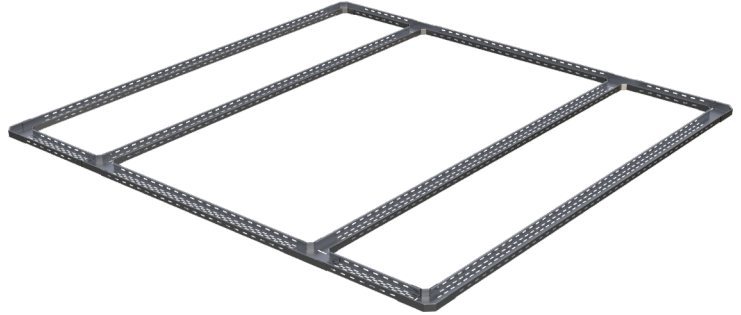


CABLE TRAY

DESCRIPTION

The barpa Cable Tray is designed to provide a structured and reliable overhead cable routing solution for data center environments. Its modular design enables flexible configuration and seamless expansion across rack rows, supporting organized and efficient cable pathway management. Optimized for scalable high-density infrastructure deployments.



APPLICABLE STANDARDS

• EN 62208:2023 • RoHS Directive 2011/65/EU

KEY FEATURES

Designed for overhead cable routing in barpa ORION data center racks

Seamless integration with 600 mm and 800 mm wide racks

Modular design enables scalable and expandable configurations

MECHANICAL & PHYSICAL SPECIFICATIONS

Material	Galvanized steel		
Color	Unpainted		
Thickness (mm)	Perforated Cable Tray Straight		0,8
	Perforated Cable Tray Corner		1,2
	Perforated Cable Tray Tee		1,2
Tray Height (mm)	Corner bends		45,0
	Straight extensions		40,0
Maximum Load (kg)	100		
Mounting Method	Modular bolted connection system using M6x16 bolts and M6 flanged nuts		

ENVIRONMENTAL SPECIFICATIONS

Operating Temperature Range (°C)	-10 to +50
Storage Temperature Range (°C)	-10 to +50

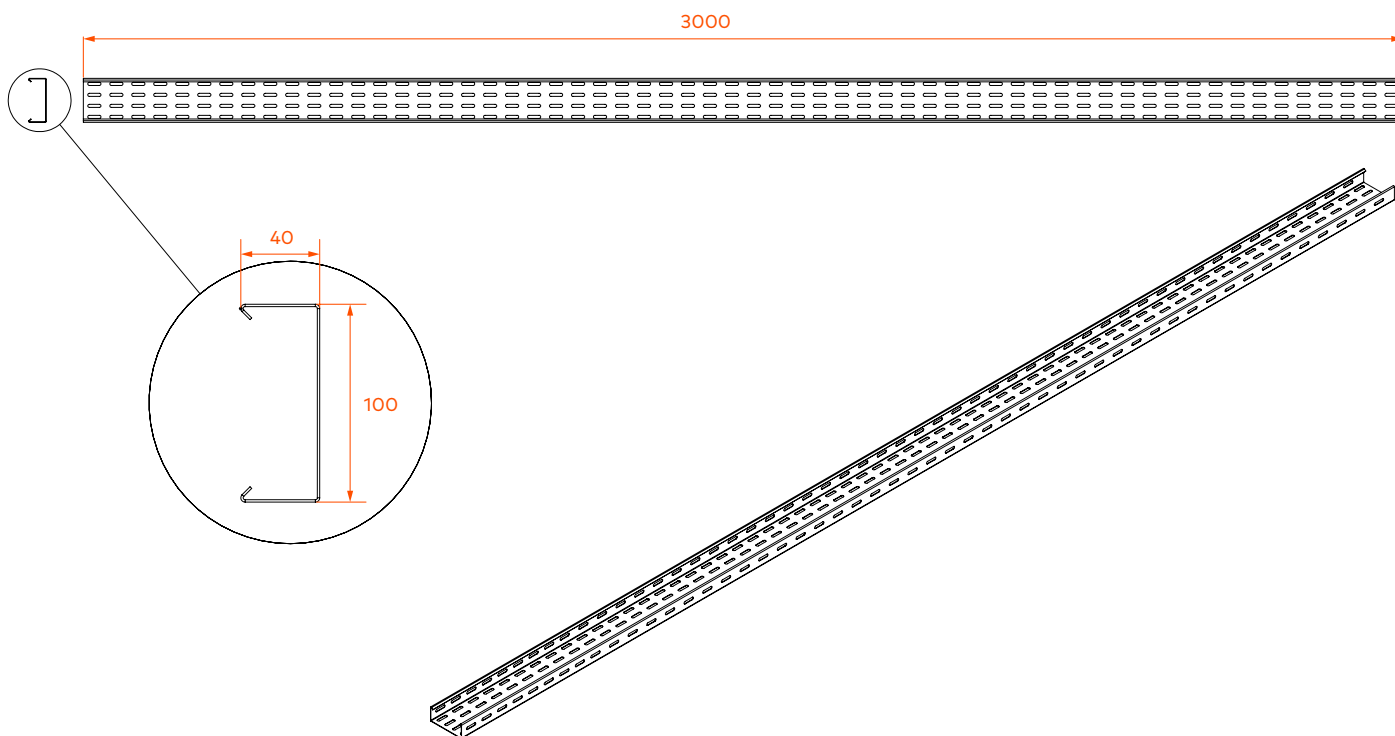
CABLE TRAY

REFERENCES

Code	Type	Height (mm)	Width (mm)
82420301105	Straight	50	100
82420301205	Straight	50	200
82420301305	Straight	50	300
82420301405	Straight	50	400
82420302105	Corner	50	100
82420302205	Corner	50	200
82420302305	Corner	50	300
82420302405	Corner	50	400
82420303105	Tee	50	100
82420303205	Tee	50	200
82420303305	Tee	50	300
82420303405	Tee	50	400

TECHNICAL DRAWING (mm)

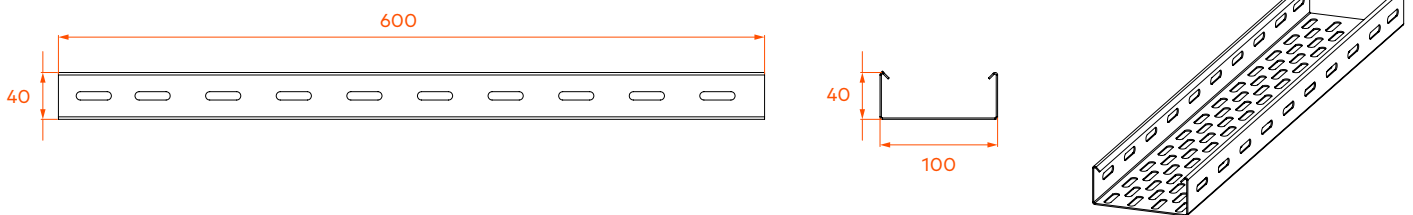
CABLE CHANNEL LENGTH



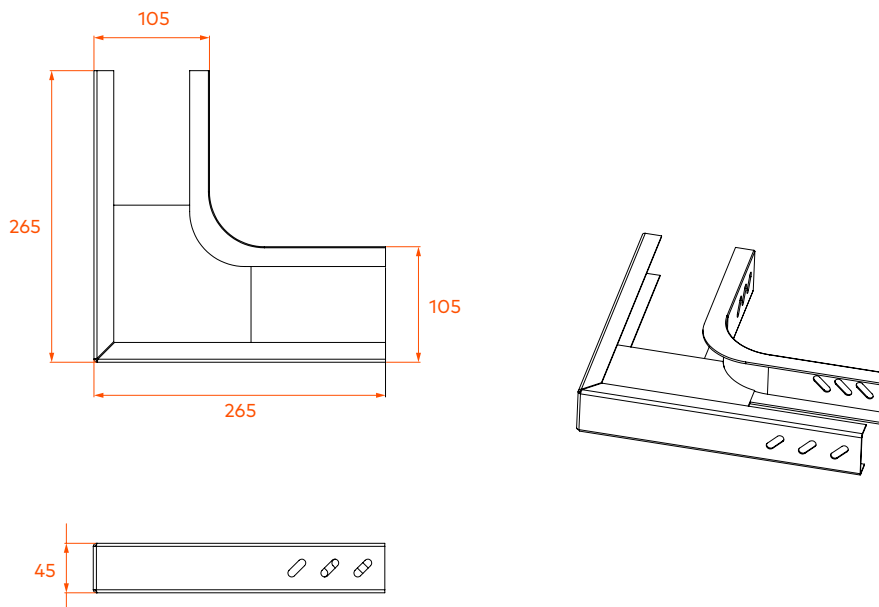
CABLE TRAY

TECHNICAL DRAWING (mm)

CABLE CHANNEL WIDTH



CORNER CABLE TRAY



T-SHAPE CABLE TRAY

