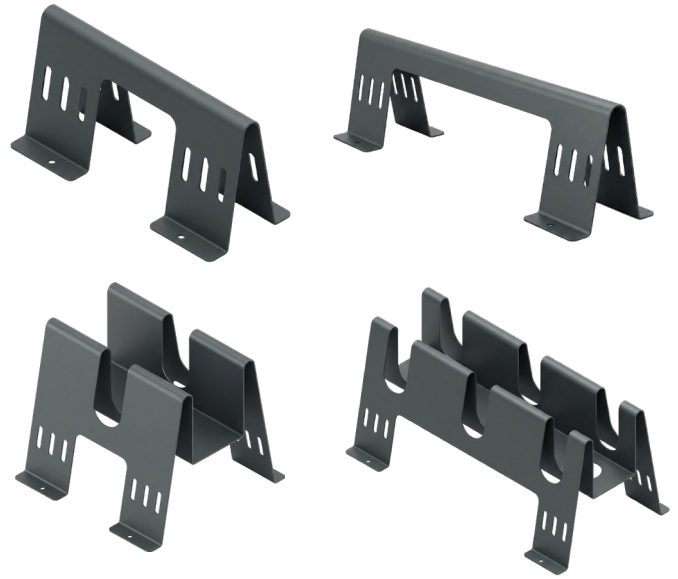


## CABLE SEPARATOR

### DESCRIPTION

The barpa Cable Separator is designed to keep cable bundles organized and properly separated at the top of rack cabinets, supporting clean and efficient cable routing in data center environments. Its robust design helps maintain orderly infrastructure while simplifying cable management in high-density installations.



### APPLICABLE STANDARDS

• RoHS Directive (2011/65/EU)

ROHS

### KEY FEATURES

- Efficient cable organization for structured and high-density rack environments
- Seamless integration with rack top covers for clean overhead cable management
- Designed for barpa ORION data center racks

### MECHANICAL & PHYSICAL SPECIFICATIONS

Material	Cold-rolled steel, grade DC01
Color	Anthracite Grey (RAL 7016)
Types	A-type & M-type
Width	600mm compatible & 800mm compatible
Thickness (mm)	1,2
Mounting Method	Screws
Included Accessories	4x set of mounting screws

### ENVIRONMENTAL SPECIFICATIONS

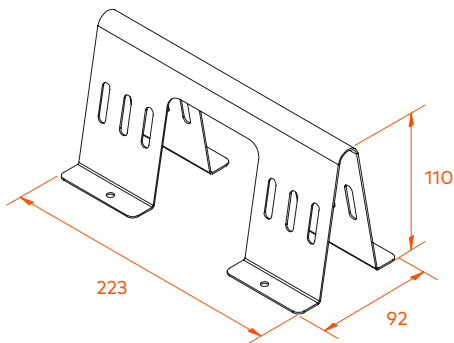
Operating Temperature Range (°C)	-10 to +50
Storage Temperature Range (°C)	-10 to +50

### REFERENCES

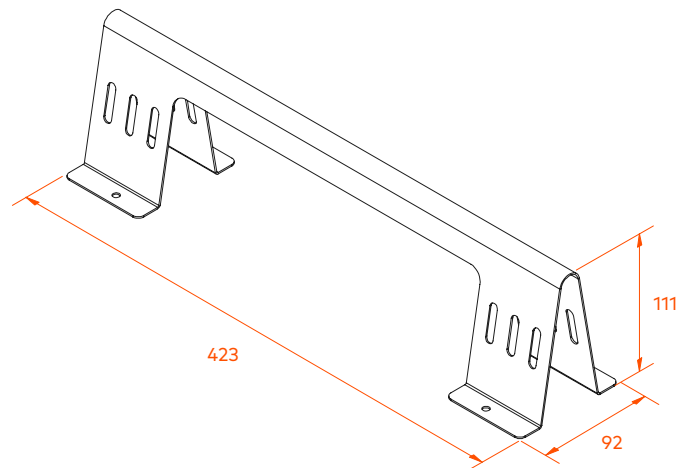
Code	Compatibility	Type	Weight (kg)	Dimension (mm)
82420200000	600mm	A	0,5	223x92x110
82420200010	800mm		0,6	423x92x111
82420210000	600mm	M	1,3	223x225x201
82420210010	800mm		1,6	423x225x201

### TECHNICAL DRAWING (mm)

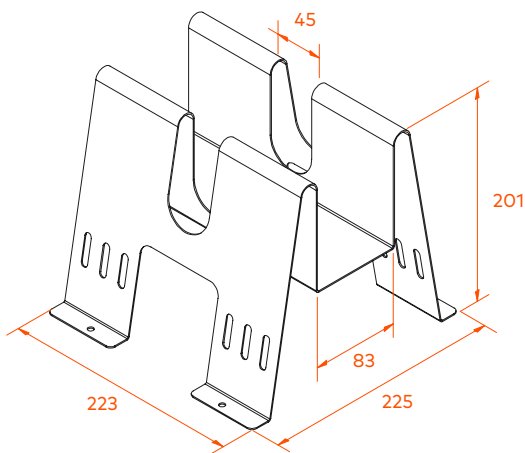
A TYPE - 600



A TYPE - 800



M TYPE - 600



M TYPE - 800

