

ROOF SYSTEMS

DESCRIPTION

The barpa Modular Roof System solution is designed to enhance aisle containment by sealing the top of the rack rows, improving airflow separation and temperature control efficiency in data center environments. Its robust steel construction with transparent panels maintains visibility while supporting optimized thermal management. Available in fixed and opening versions, it offers flexible integration for modern high-density infrastructure.



APPLICABLE STANDARDS

• RoHS Directive (2011/65/EU) • UL 94 HB

KEY FEATURES

Fixed or opening versions to support flexible data center containment configurations.

Creating a wide corridor for double row or single row confinements

Designed for barpa ORION data center racks

Scalable corridor configuration

Transparent Polycarbonate windows enable clear visibility and light while maintaining aisle containment.

MECHANICAL & PHYSICAL SPECIFICATIONS

| | |
|-----------------------------|-------------------------------|
| Material (Frame) | Cold-rolled steel, grade DC01 |
| Material (Glass) | Transparent Polycarbonate |
| Color | Anthracite Grey (RAL 7016) |
| Types | Fixed or Opening |
| Window Opening Direction | Downwards |
| Window Opening Mechanism | Magnets with current control |
| Max Opening Angle | 45° |
| Suggested Max Opening Angle | 10° |
| Connection Method | Direct-mounted to rack frame |

ELECTRICAL SPECIFICATIONS (FOR OPENING VERSION)

| | |
|---------------------------------|--------|
| Rated Voltage | 12V DC |
| Standby Power | <1W |
| Maximum Power (per window/hour) | 8W |

ENVIRONMENTAL SPECIFICATIONS

| | |
|----------------------------------|------------|
| Operating Temperature Range (°C) | -10 to +50 |
| Storage Temperature Range (°C) | -10 to +50 |

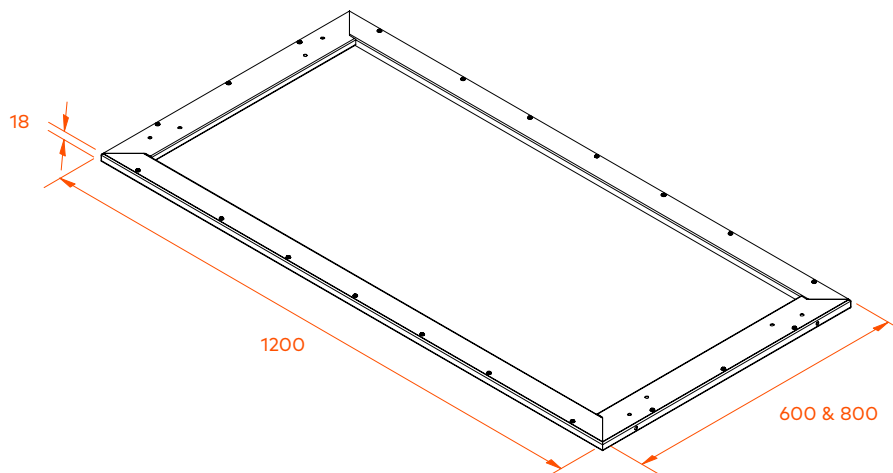
(i) Safety Notice This product is not designed to support additional loads.

REFERENCES

| Code | Type | Width (mm) | Length (mm) | Weight (kg) |
|-------------|---------|------------|-------------|-------------|
| 8242000000 | Fixed | 600 | 1200 | 7,0 |
| 8242000010 | | 800 | | 8,5 |
| 82420010001 | Opening | 600 | 1210 | 11,0 |
| 82420010011 | | 800 | | 12,5 |

TECHNICAL DRAWING (mm)

FIXED VERSION 600mm & 800mm



OPENING VERSION

600mm & 800mm

