

## RJ45 MODULAR PLUG CABLE BOOT STP

### DESCRIPTION

Specifically designed for barpa's RJ45 STP Modular Plugs, these boots provide a stable and secure connection between the plug and the cable, ensuring reliable performance. Available in a range of colors, they allow for efficient and customized visual identification of connections, making network organization and management easier.



### APPLICABLE STANDARDS

- Directive 2011/65/EU (RoHS)

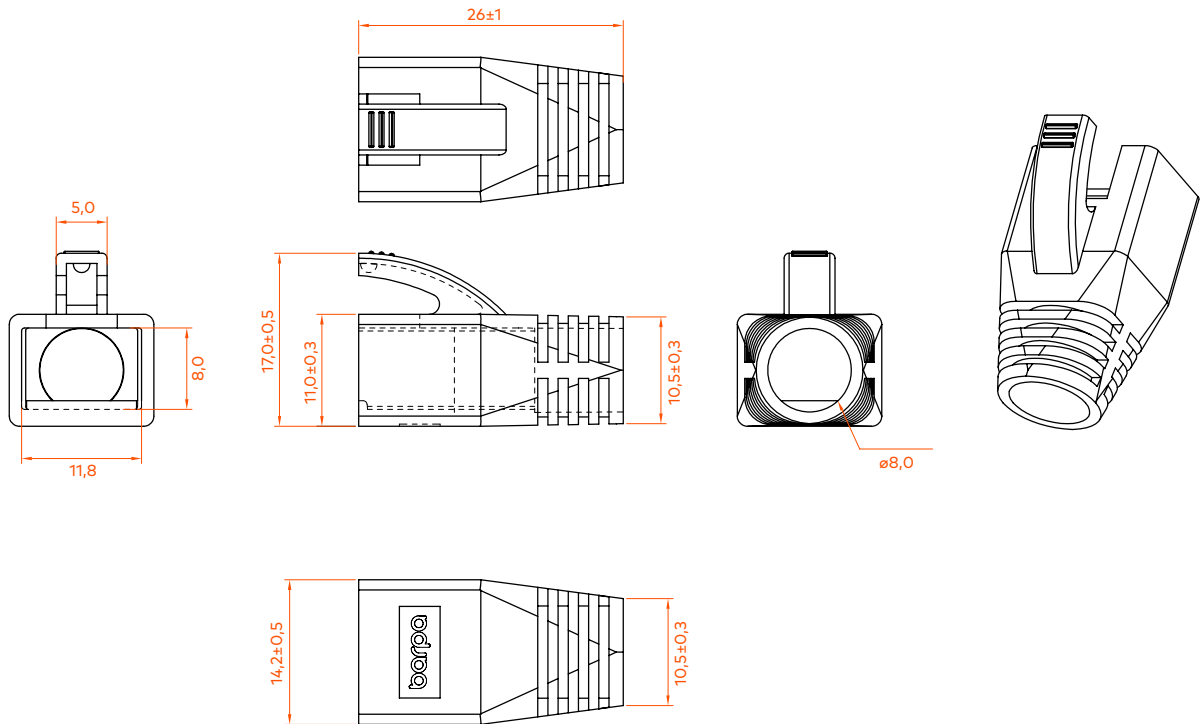
### MECHANICAL AND PHYSICAL SPECIFICATIONS

Material	PVC
Colors	Grey (RAL 7035)
	Black (RAL 9004)
	White (RAL 9003)
	Purple (RAL 4005)
	Orange (RAL 2003)
	Green (RAL 6024)
	Red (RAL 3000)
	Yellow (RAL 1021)
	Blue (RAL 5015)
Compatibility	RJ45 STP Modular Plugs
Weight (kg)	0,0023
Dimensions (mm)	26,0 x 17,0 x 14,2
Cable Outer Diameter Range (mm)	7,10 - 7,60

### LOGISTICS INFORMATION

Code	Color	PLA Bag			Inner Box			Outer Box		
		Quantity (un)	Weight (kg)	Dimensions (mm)	Quantity (un)	Weight (kg)	Dimensions (mm)	Quantity (un)	Weight (kg)	Dimensions (mm)
82240820100	Grey	50	0,12	160x150	1500	4,06	450x300x150	9000	26,03	650x500x500
82240820200	Black	50	0,12	160x150	1500	4,06	450x300x150	9000	26,03	650x500x500
82240820300	White	50	0,12	160x150	1500	4,06	450x300x150	9000	26,03	650x500x500
82240820400	Purple	50	0,12	160x150	1500	4,06	450x300x150	9000	26,03	650x500x500
82240820500	Orange	50	0,12	160x150	1500	4,06	450x300x150	9000	26,03	650x500x500
82240820600	Green	50	0,12	160x150	1500	4,06	450x300x150	9000	26,03	650x500x500
82240820700	Red	50	0,12	160x150	1500	4,06	450x300x150	9000	26,03	650x500x500
82240820800	Yellow	50	0,12	160x150	1500	4,06	450x300x150	9000	26,03	650x500x500
82240820900	Blue	50	0,12	160x150	1500	4,06	450x300x150	9000	26,03	650x500x500

### TECHNICAL DRAWING (mm)



### PACKAGING

This images are merely illustratives. We want you to see the importance we attach to the packaging.  
We always work with products and materials that are easy to use.

