

RJ45 MODULAR PLUG CABLE BOOT UTP

DESCRIPTION

Specifically designed for barpa's RJ45 UTP Modular Plugs, these boots provide a stable and secure connection between the plug and the cable, ensuring reliable performance. Available in a range of colors, they allow for efficient and customized visual identification of connections, making network organization and management easier.



APPLICABLE STANDARDS

• Directive 2011/65/EU (RoHS)

MECHANICAL AND PHYSICAL SPECIFICATIONS

Material	PVC and PC
Colors	Grey (RAL 7035)
	Black (RAL 9004)
	White (RAL 9003)
	Purple (RAL 4005)
	Orange (RAL 2003)
	Green (RAL 6024)
	Red (RAL 3000)
	Yellow (RAL 1021)
	Blue (RAL 5015)
Compatibility	RJ45 UTP Modular Plugs
Weight (kg)	0,0017
Dimensions (mm)	23,0 x 12,6 x 9,6
Cable Outer Diameter Range (mm)	5,40 - 6,90

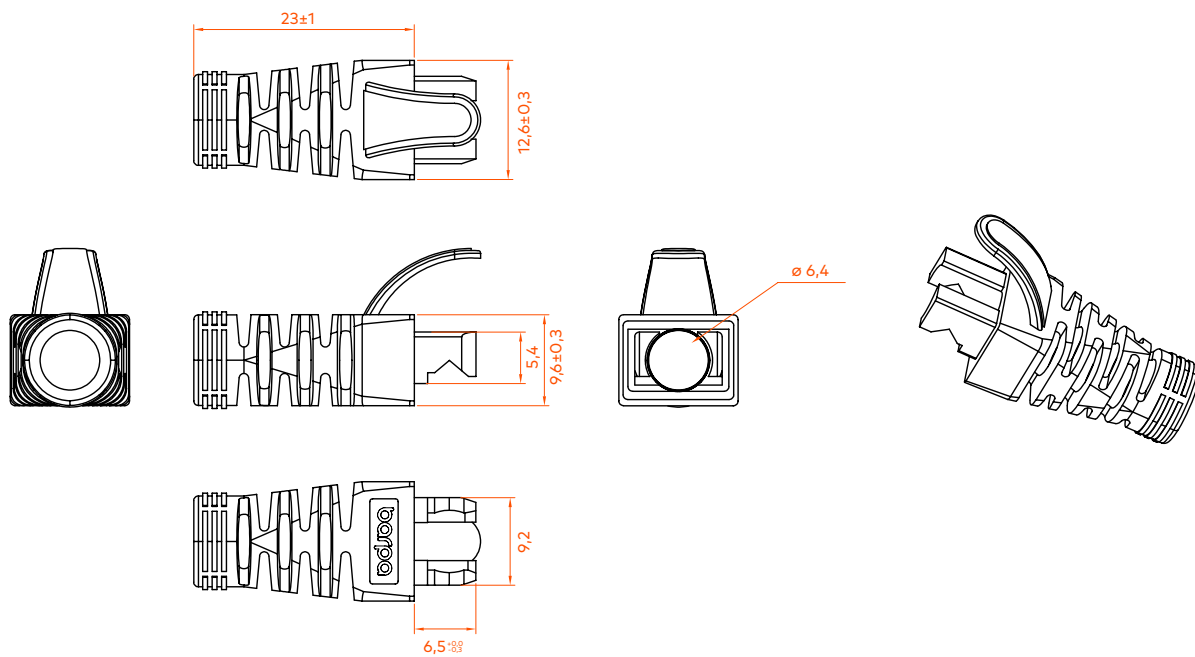
LOGISTICS INFORMATION

Code	Color	PLA Bag			Inner Box			Outer Box		
		Quantity (un)	Weight (kg)	Dimensions (mm)	Quantity (un)	Weight (kg)	Dimensions (mm)	Quantity (un)	Weight (kg)	Dimensions (mm)
82240810100	Grey	50	0,09	160x150	1500	3,16	450x300x150	9000	20,76	650x500x500
82240810200	Black	50	0,09	160x150	1500	3,16	450x300x150	9000	20,76	650x500x500
82240810300	White	50	0,09	160x150	1500	3,16	450x300x150	9000	20,76	650x500x500
82240810400	Purple	50	0,09	160x150	1500	3,16	450x300x150	9000	20,76	650x500x500
82240810500	Orange	50	0,09	160x150	1500	3,16	450x300x150	9000	20,76	650x500x500
82240810600	Green	50	0,09	160x150	1500	3,16	450x300x150	9000	20,76	650x500x500
82240810700	Red	50	0,09	160x150	1500	3,16	450x300x150	9000	20,76	650x500x500
82240810800	Yellow	50	0,09	160x150	1500	3,16	450x300x150	9000	20,76	650x500x500
82240810900	Blue	50	0,09	160x150	1500	3,16	450x300x150	9000	20,76	650x500x500

This document is authored and owned by barpa . It is forbidden to reproduce in whole or in part without mentioning its authorship, as well as modification of its content or context. All specifications are subject to change without notice. The pictures/drawings are merely illustrative.

More information: info@barpa.eu or in www.barpa.eu

TECHNICAL DRAWING (mm)



PACKAGING

This images are merely illustratives. We want you to see the importance we attach to the packaging.
We always work with products and materials that are easy to use.

