

SURFACE MOUNT BOX

DESCRIPTION

The Surface Mount Boxes from barpa are especially designed to RJ45 Keystone Jack applications and are compatible with all barpa UTP and STP connectors. They come with 1 or 2 ports with dust shutters to protect from environmental conditions while featuring label positions and insertable charts for connection identification. They provide easy and fast surface mounted installation.



ROHS

APPLICABLE STANDARDS

• Directive 2011/65/EU (RoHS)

TECHNICAL CHARACTERISTICS

Dimensions	1 port	48x65x29,2 mm
	2 ports	74x65x29,2 mm
Color	White	
Material	High Quality PC-ABS	
Number of ports	1 and 2	
Compatible References	barpa UTP Keystone Jack	82242110180; 82242110090; 82242111180; 82242111090; 82243110180; 82243110090; 82243111180; 82243111090
	barpa STP Keystone Jack	82242122180; 82243122180; 82246322000-1

ENVIRONMENTAL CONDITIONS

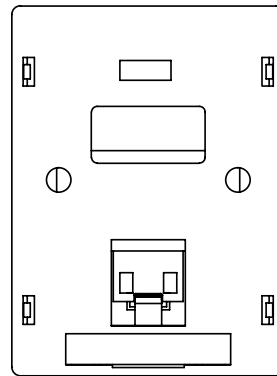
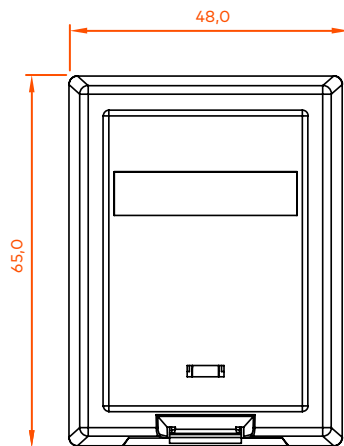
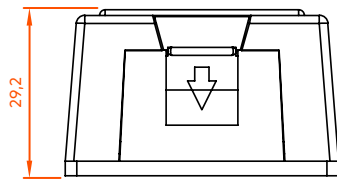
Operating Temperature (°C)	- 10 to 60
Storage Temperature (°C)	- 40 to 70

LOGISTICS INFORMATION

Code	N° Ports	Quantity (un)	Polybag		Box			EAN
			Weight (kg)	Dimensions (mm)	Quantity (un)	Weight (kg)	Dimensions (mm)	
82250310001	1	1	0,03	90x130	210	7,10	380x240x365	5608445041616
82250310002	2	1	0,03	110x130	150	6,55	380x240x365	5608445039163

TECHNICAL DRAWING (mm)

1 PORT



2 PORTS

