

## SURFACE MOUNT BOX

### DESCRIPTION

The Surface Mount Boxes from barpa are especially designed to RJ45 Keystone Jack applications and are compatible with all barpa UTP connectors. They come with 1 or 2 ports with dust shutters to protect from environmental conditions while featuring label positions and insertable charts for connection identification. They provide easy and fast surface mounted installation.



ROHS

### APPLICABLE STANDARDS

• Directive 2011/65/EU (RoHS)

### TECHNICAL CHARACTERISTICS

|                       |                         |   |
|-----------------------|-------------------------|---|
| Dimensions            | 1 port                  | 48x65x29,2 mm   |
|                       | 2 ports                 | 74x65x29,2 mm   |
| Color                 | White                   |   |
| Material              | High Quality PC-ABS     |   |
| Number of ports       | 1 and 2                 |   |
| Compatible References | barpa UTP Keystone Jack | 82242110180; 82242110090; 82242111180; 82242111090;<br>82243110180; 82243110090; 82243111180; 82243111090 |

### ENVIRONMENTAL CONDITIONS

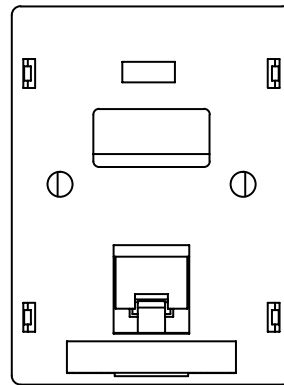
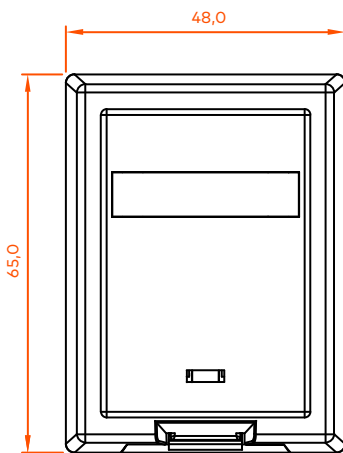
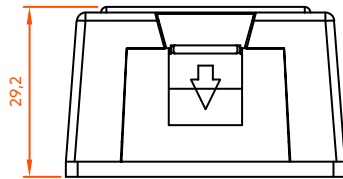
|                            |            |
|----------------------------|------------|
| Operating Temperature (°C) | - 10 to 60 |
| Storage Temperature (°C)   | - 40 to 70 |

### LOGISTICS INFORMATION

| Code        | N° Ports | Quantity (un) | Polybag     |                 | Box           |             | EAN         |                 |
|-------------|----------|---------------|-------------|-----------------|---------------|-------------|-------------|-----------------|
|             |          |               | Weight (kg) | Dimensions (mm) | Quantity (un) | Weight (kg) |             | Dimensions (mm) |
| 82250310001 | 1        | 1             | 0,03        | 90x130          | 300           | 9,49        | 380x240x365 | 5608445041616   |
| 82250310002 | 2        | 1             | 0,04        | 110x130         | 150           | 6,49        | 380x240x365 | 5608445039163   |

### TECHNICAL DRAWING (mm)

#### 1 PORT



#### 2 PORTS

