



# Série Indus

O novo bastidor

barpa



# IP55 INTERIOR RAL7035

Aplicação em fábricas, armazéns, onde está presente condições ambientais exigentes, sem uso no exterior ou chuva direta.







## Bastidor Pavimento

42U  
800x800x2145



## Bastidor Mural

18U  
600x450x902  
600x600x902



## Bastidor Mural

12U  
600x450x635  
600x600x635





CUMPRE COM  
A EN60529

●


ESTRUTURA  
SOLDADA

●

EMBALADO  
MONTADO

●



1000KG DE  
CARGA ESTÁTICA

 Page 1 of 9 Report No.: PL201105007-L01

### IP55 TEST REPORT

Applicant.....: Argon-Componentes Eléctricos e Electrónicos Lda (under the name of barpa)  
Address.....: Rua Noé Pereira, 473  
Sample Name.....: IP Rated cabinets  
Model Name.....: IP5X/FF55 cabinet series  
Brand Name.....: barpa  
Service Requested.....: Perform the IP55 test as customer's requirement  
Date of Report.....: Nov 10, 2020  
Date of Tested.....: June 18, 2019 to June 19, 2019

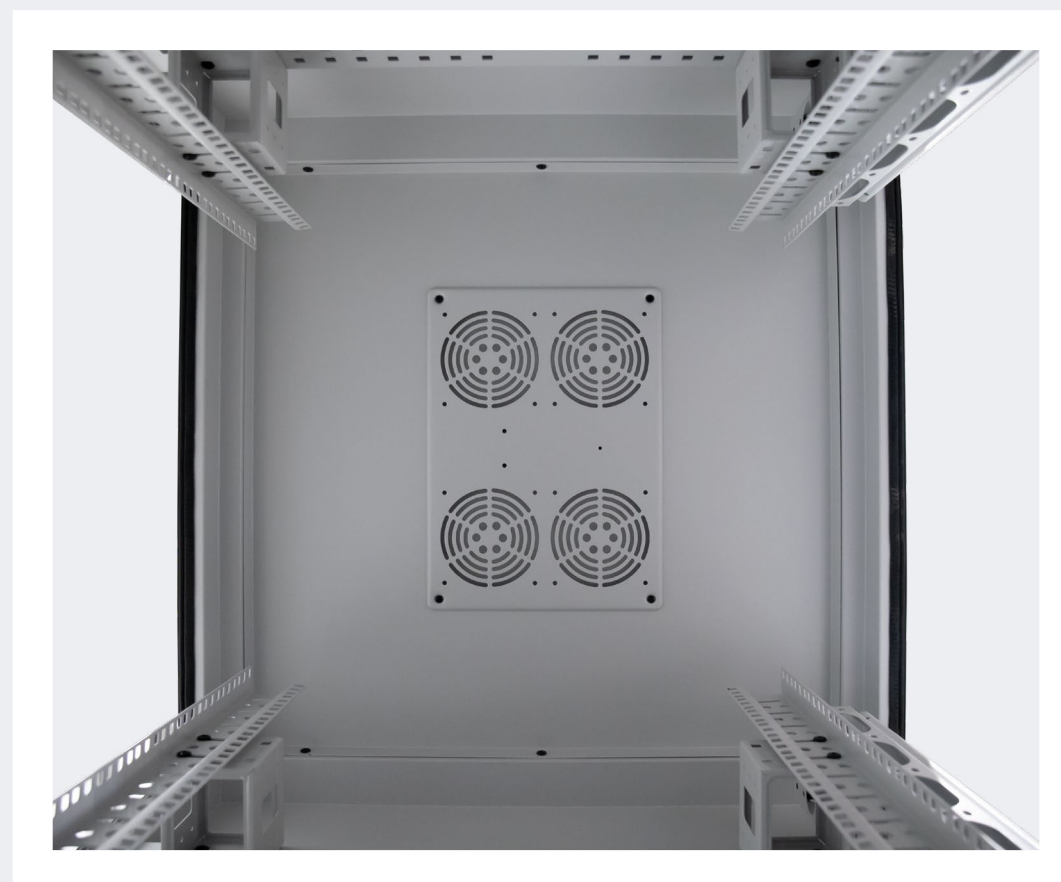
TESTING LABORATORY.....: Shenzhen Pinliang Testing Technology Co., Ltd.  
ADDRESS.....: Room 203, 2/F., Huafeng Xin'an Commercial Building,  
Zone 45, Xin'an Street, Bao'an District, Shenzhen,  
Guangdong, China

	Name	Signature	Date
Testing Engineer	Sam Tan		2020.11.10
Approving Manager	Tony Chen		2020.11.10

Notes:

1. This report will be invalid if duplicated or photocopied in part.
2. This report refers only to the specimen(s) submitted to test, and is invalid as separately used.
3. This report is invalid without examination stamp and signature of this company.
4. The tested specimen(s) will be preserved for thirty days from the date issued, if not taken back by the applicant.

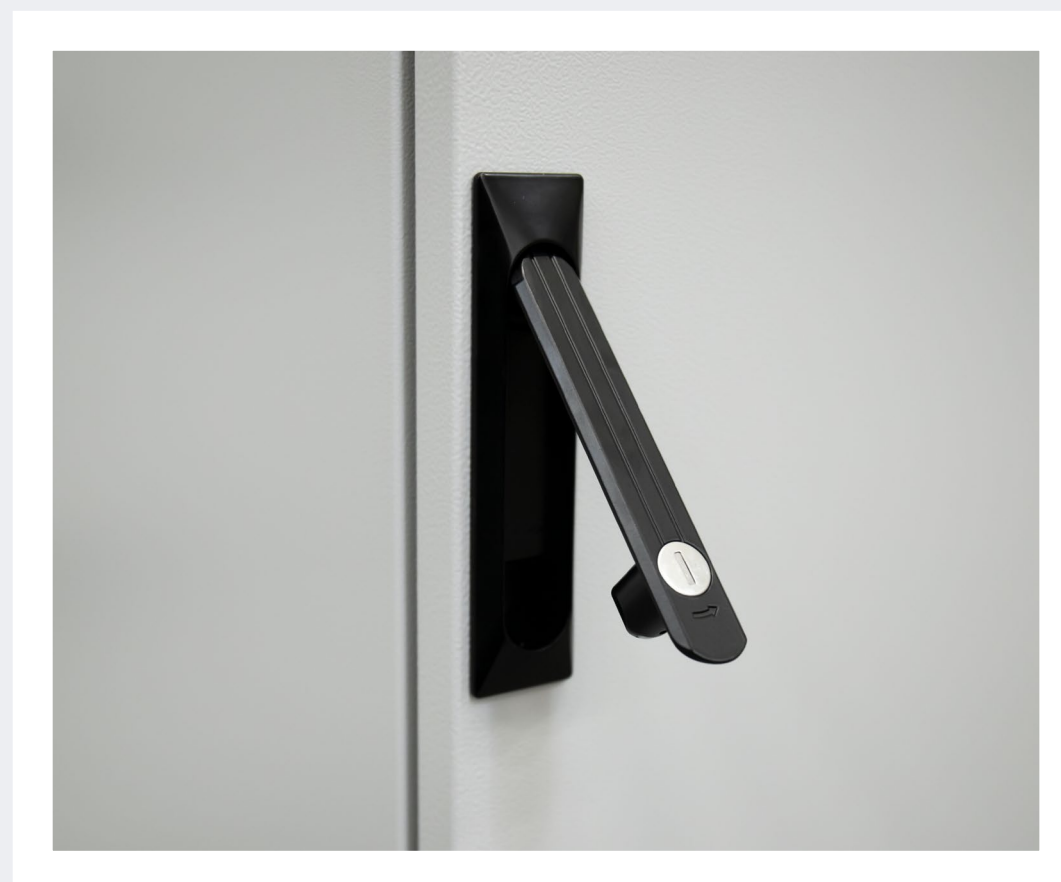




1 VISTA SUPERIOR



2 ORGANIZADOR DE CABOS VERTICAL



3 FECHADURA DA PORTA



4 BASE COM BURACOS DE VENTILAÇÃO







5 PORTAS VEDADAS



6 PORTA ABRE A 140 GRAUS



7.1 PORMENORES DA BASE



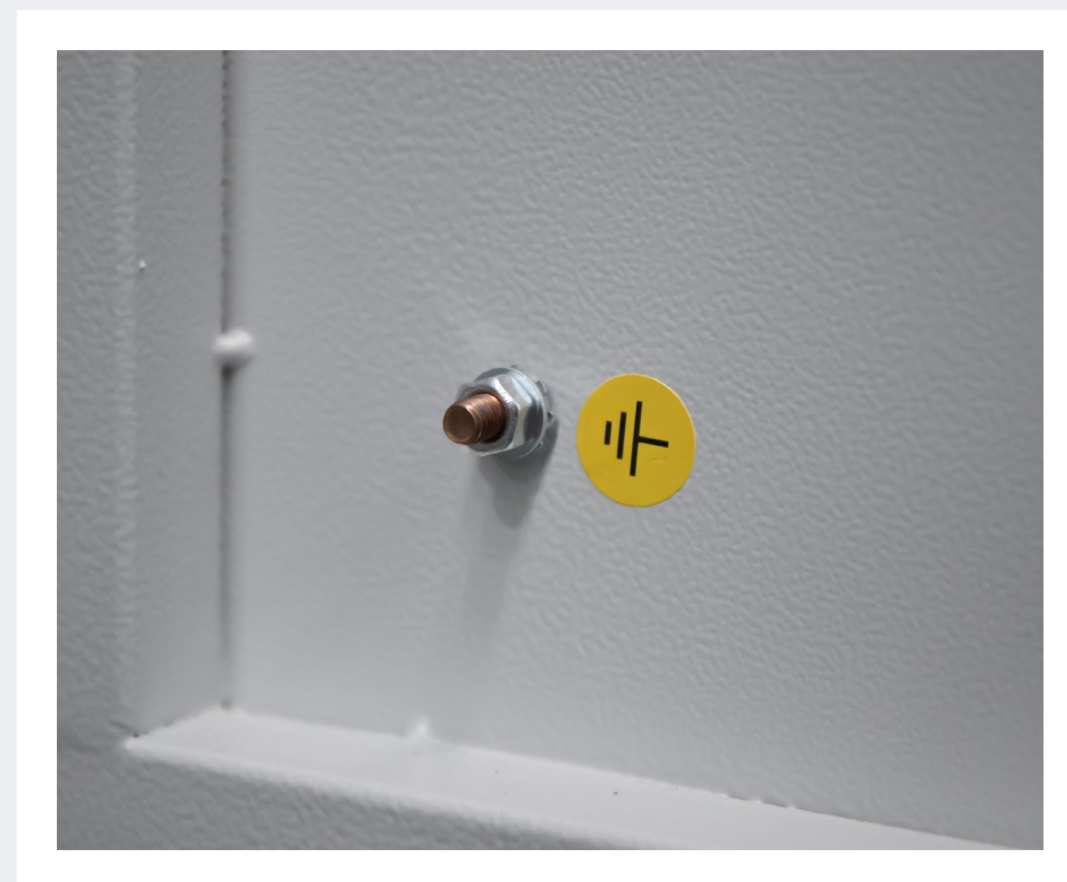
7.2 PORMENORES DA BASE







8 BURACOS PARA CONDENSAÇÃO DA ÁGUA

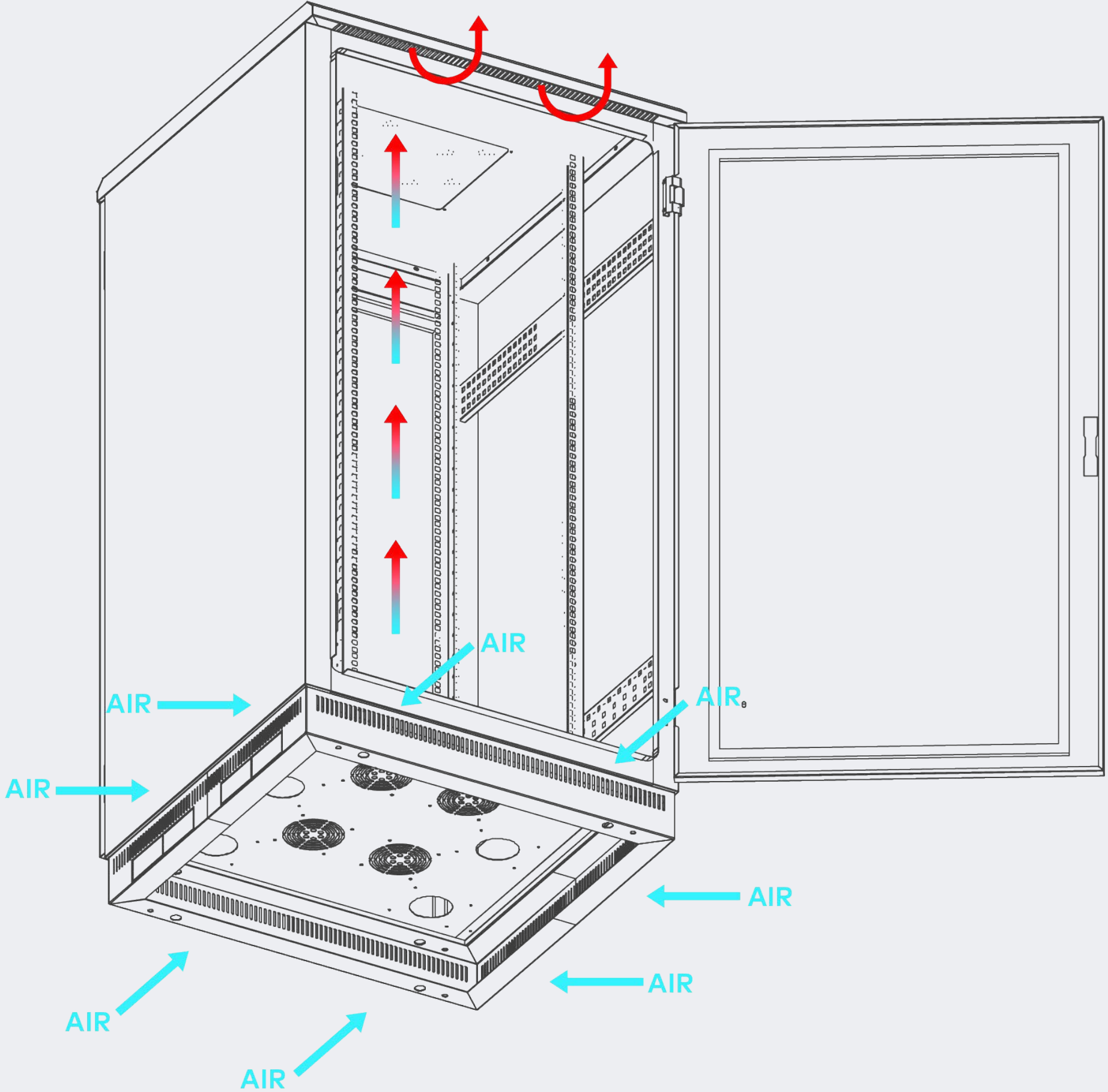


9 CONEXÃO À TERRA





10 VENTILAÇÃO PASSIVA





# EMBALAMENTO





CÓDIGO	U	LARGURA (mm)	PROFUNDIDADE (mm)	ALTURA MONTADO (mm)	PESO (kg)	EAN
82343420808	42	800	800	2145	138	5608445032515

\* Disponível fabricar mais medidas por pedido.





CUMPRE COM  
A EN60529

•

ESTRUTURA  
SOLDADA

•

EMBALADO  
MONTADO

•

100KG DE  
CARGA ESTÁTICA



Page 1 of 9

Report No.: PL201105007-L01

### IP55 TEST REPORT

Applicant.....: Argon-Componentes Eléctricos e Electrónicos Lda (under the name of barpa)  
Address.....: Rua Noé Pereira, 473  
Sample Name.....: IP Rated cabinets  
Model Name.....: IP5X/FF55 cabinet series  
Brand Name.....: barpa  
Service Requested.....: Perform the IP55 test as customer's requirement  
Date of Report.....: Nov 10, 2020  
Date of Tested.....: June 18, 2019 to June 19, 2019

TESTING LABORATORY.....: Shenzhen Pinliang Testing Technology Co., Ltd.  
ADDRESS.....: Room 203, 2/F., Huafeng Xin'an Commercial Building,  
Zone 45, Xin'an Street, Bao'an District, Shenzhen,  
Guangdong, China

	Name	Signature	Date
Testing Engineer	Sam Tan		2020.11.10
Approving Manager	Tony Chen		2020.11.10

#### Notes:

1. This report will be invalid if duplicated or photocopied in part.
2. This report refers only to the specimen(s) submitted to test, and is invalid as separately used.
3. This report is invalid without examination stamp and signature of this company.
4. The tested specimen(s) will be preserved for thirty days from the date issued, if not taken back by the applicant.





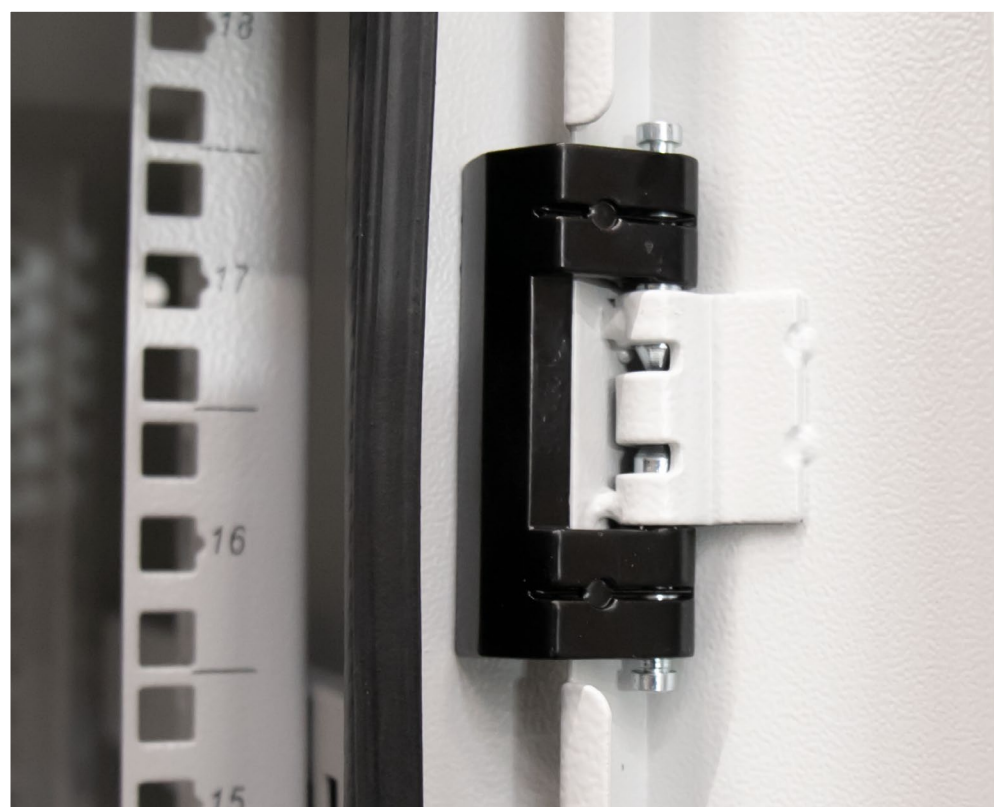
**1** PREPARADO PARA MONTAR NA PAREDE



**2** VISTA SUPERIOR (POSSIBILIDADE DE INSTALAR VENTILADORES)



**3** PAINÉIS NUMERADOS (NA PARTE FRONTAL E TRASEIRA)



**4** DOBRADIÇAS ROBUSTAS



**5** ACESSÓRIOS INCLUÍDOS



**6** BURACOS PARA CONDENSAÇÃO DE ÁGUA E BURACOS PARA PASSAGEM DE CABOS.



# EMBALAMENTO

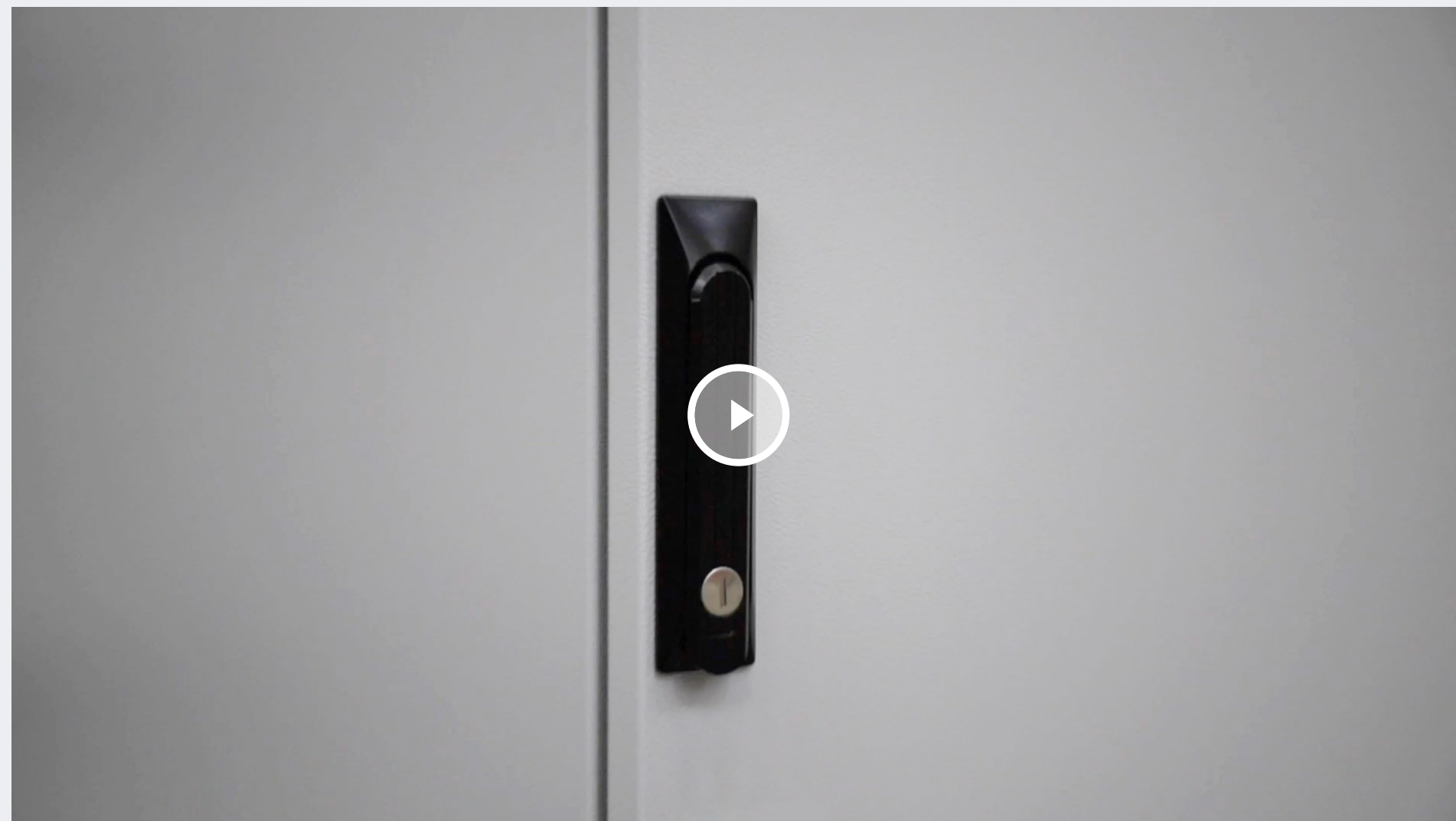




CÓDIGO	U	LARGURA (mm)	PROFUNDIDADE (mm)	ALTURA MONTADO (mm)	PESO (kg)	EAN
82323120604	12	600	450	635	24	5608445032478
82323120606	12	600	600	635	28	5608445032485
82323180604	18	600	450	902	31	5608445032492
82323180606	18	600	600	902	36	5608445032508

\* Disponível fabricar mais medidas por pedido.





barpa



barpa