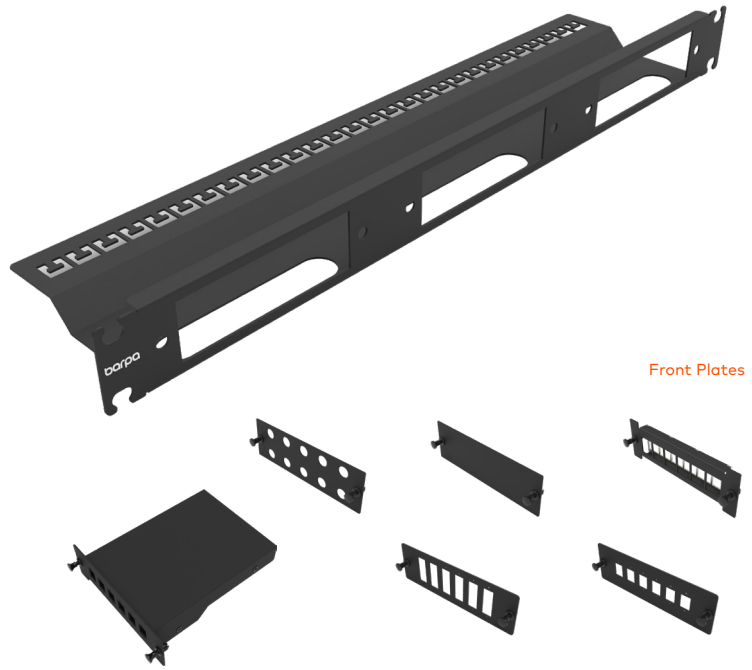




3 TECH PATCH PANEL

DESCRIPTION

barpa 3 Tech Patch Panel is a 19" standard that offers flexibility and compact design for your network in only 1U of a rack space. Engineered for versatility, this product accommodates a variety of front plates and a splice tray to meet different connectivity requirements. Choose from copper, fiber and coaxial options to tailor your panel to your specific needs.



APPLICABLE STANDARDS

• EIA 19-inch



KEY FEATURES

Drawer Design with Open Holes

Ensures effortless access and user-friendly operation. The open holes in the brackets facilitate easier and more flexible installation in the rack.

Modularity

Customizable front plates for copper (RJ45), fiber (SC Simplex and Duplex), and coaxial ports. Adaptable to user specific requirements.

PHYSICAL SPECIFICATIONS

Front Plates	6 RJ45 Ports 6 SC Simplex Ports 6 SC Duplex Ports 8 CC Blank 6 Ports with Splice Tray
Thickness (mm)	1,2
Material	SPCC Steel
Color	Black (RAL 9005)
Dimensions (mm)	482,6 x 107,5 x 44,0
Weight (kg)	0,55
Admissible Quantity of Front Plates	3

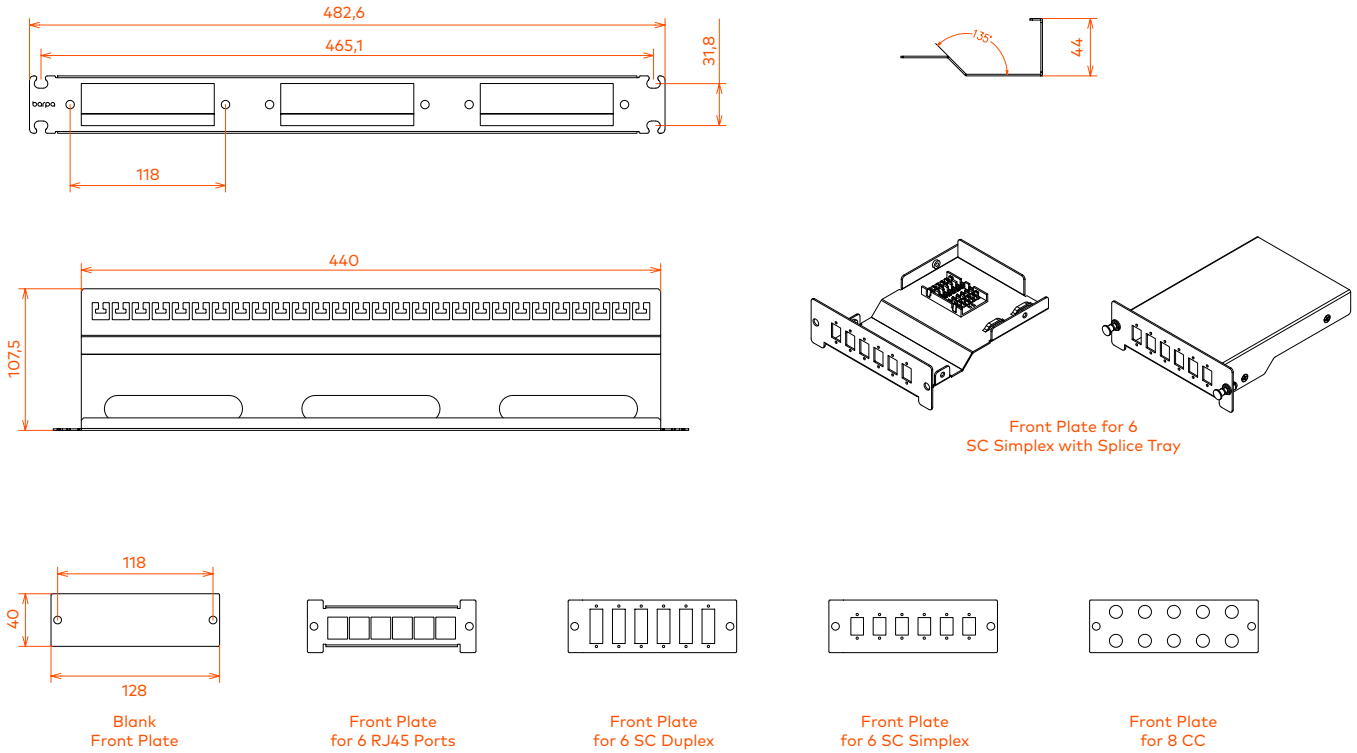
3 TECH PATCH PANEL

LOGISTICS INFORMATION

Code	Description	Paper Bag		Inner Box		Outer Box	
		Dimensions (mm)	Quantity (un)	Dimensions (mm)	Quantity (un)	Dimensions (mm)	Quantity (un)
82251101000	Empty 3 Tech Patch Panel 1U	-	-	510x130x50	1	530x430x280	18
82251100001	Blank Front Plate 3 Tech Patch Panel	90x160	1	-	-	260x230x230	70
82251100003	Front Plate 3 Tech Patch Panel for 8 CC	90x160	1	-	-	260x230x230	70
82251100004	Front Plate 3 Tech Patch Panel for 6 SC Duplex	90x160	1	-	-	260x230x230	70
82251100005	Front Plate 3 Tech Patch Panel for 6 SC Simplex	90x160	1	-	-	260x230x230	70
82251100006	Front Plate 3 Tech Patch Panel for 6 RJ45 Ports	90x160	1	-	-	260x230x230	70
82251100002	Front Plate 3 Tech Patch Panel with Splice Tray	For more information about this product, please refer to the corresponding Technical Data Sheet (b181).					
82251100007	3 Tech Patch Panel 1U + 6xSC Duplex Front Plate, 6xRJ45 Front Plate + 8 CC Front Plate	To order the empty panel along with three individual front plates (6x SC Duplex, 6x RJ45, and 8 CC), please use the following code.					

3 TECH PATCH PANEL

TECHNICAL DRAWING (mm)



PACKAGING

This images are merely illustratives. We want you to see the importance we attach to the packaging.
We always work with products and materials that are easy to use.



As part of our goal to achieve quality excellence, our barpa System Warranty can give you 25 years products and solution assurance of compliance with the industry performance standard comparing with the class installed. This warranty applies to network infrastructure installations that was made by an approved barpa partner using an barpa solution (end-to-end). For more informations go to our website.