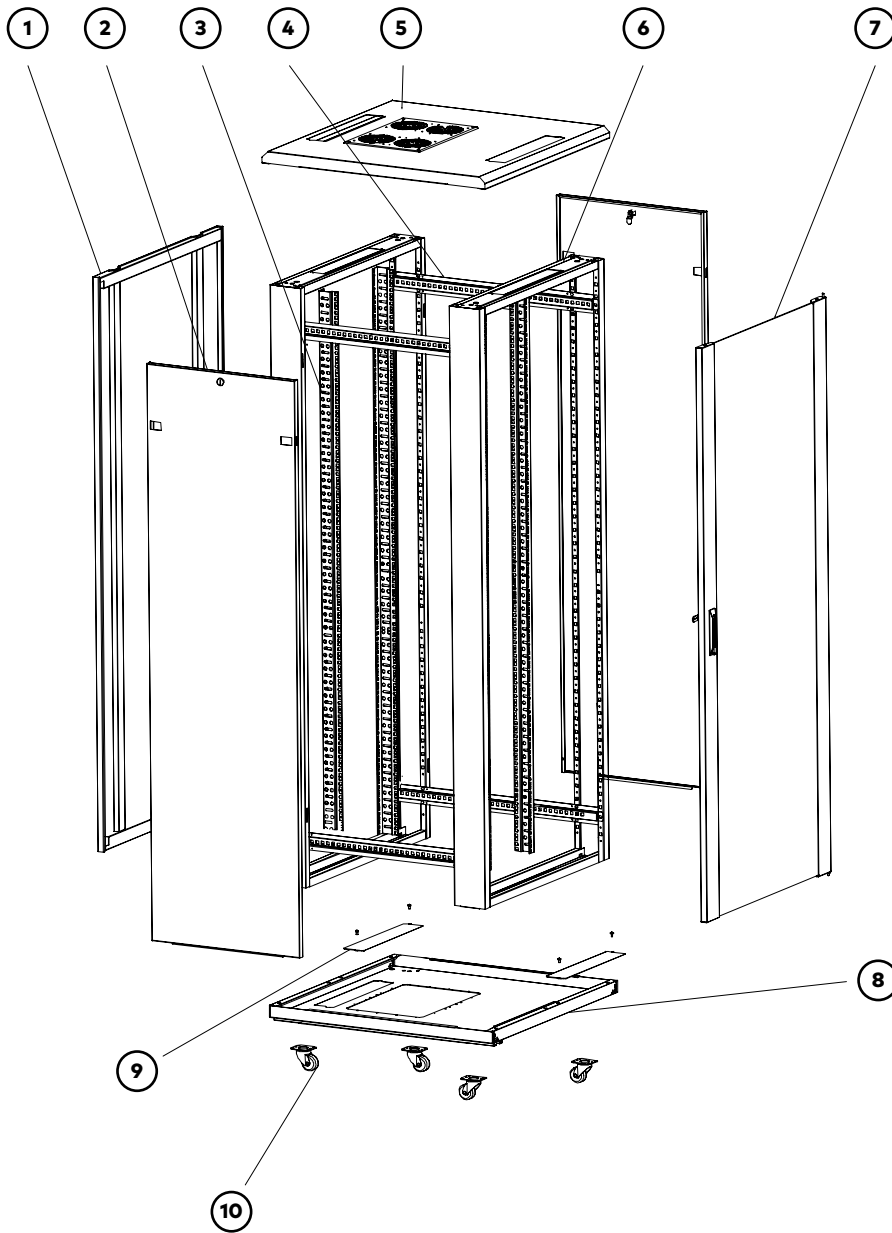






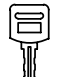
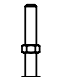
# Series Norma

600 - 15U UP TO 33U

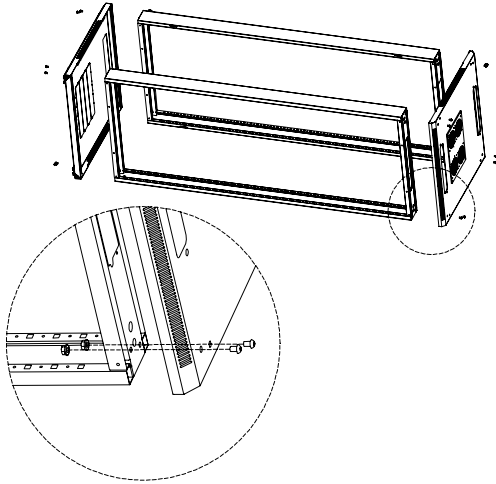
barpa

**Safety warning** – Do not climb on, rock, shake your rack. Only someone with good mechanical skill and who has experience should install this rack. Never exceed the maximum load capacity. If you didn't understand this instructions manual please contact us by [info@barpa.eu](mailto:info@barpa.eu)



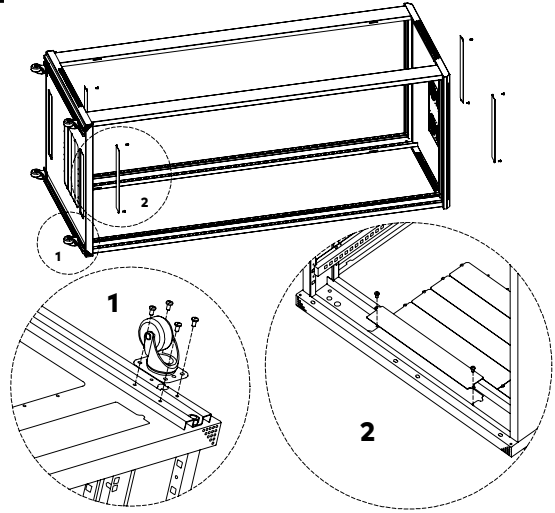
- A**   
28 x  
M5x10 bolt
- B**   
32 x  
M6x12 bolt
- C**   
16 x  
M8x12 bolt
- D**   
16 x  
M8 flange nut
- E**   
4 x  
key
- F**   
4 x  
M12 adjustable  
feet

# 1



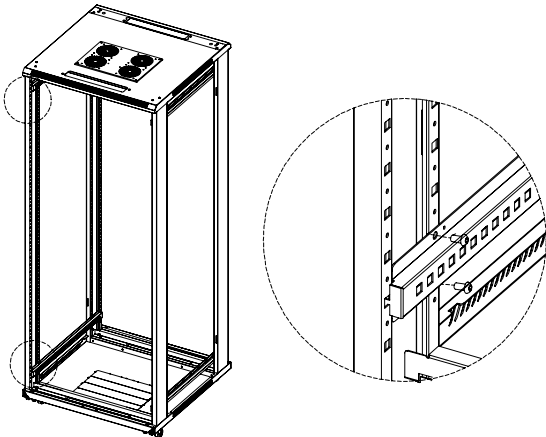
In this first step you will need the top cover (5), the bottom plate (8) and 2 x frame (6). Put the two parts of frame ready to assemble this part like picture with 16 x bolt M8\*12 (C) and 16 x flange nut M8 (D);

# 2



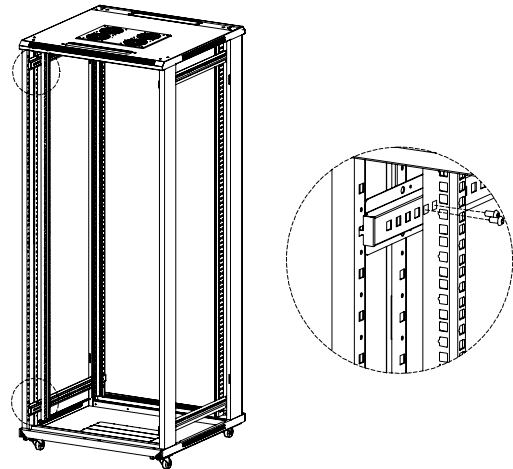
With the cable entry panel (9) and with the castors (10), assemble in the bottom plate with 24 x bolt M5\*10 (A);

# 3



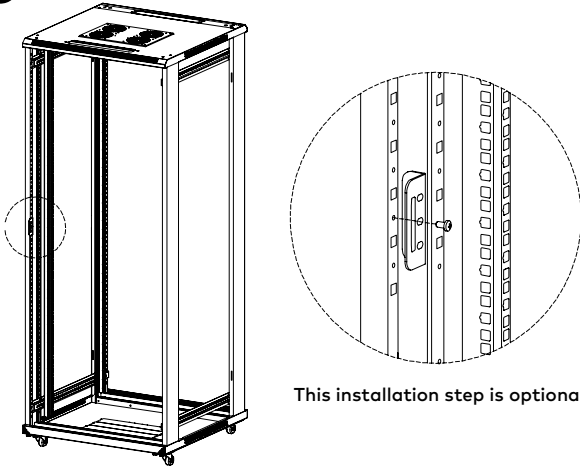
With the cabinet in the vertical, assemble the mounting angle (4) with 16 x bolt M6\*12 (B) in the horizontal sides of the cabinet;

# 4



Grab the 19" rails (3) in the vertical and mount with 16 x bolt M6\*12 (B);

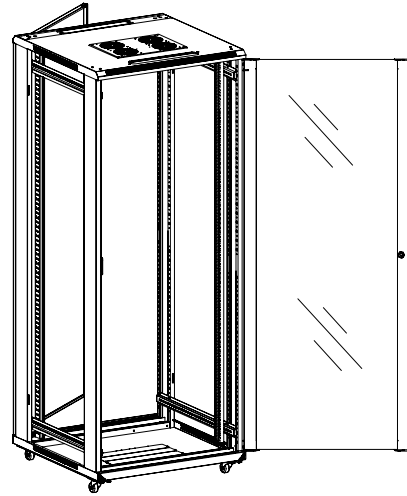
5



This installation step is optional

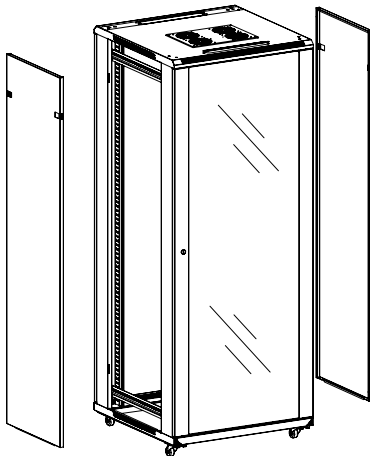
This installation step is optional. With 2 x bolt M5\*10 (A) fix this accessory to the frame;

6



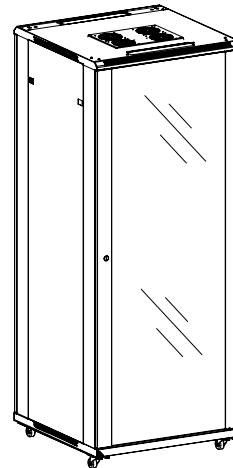
Now assemble the front door (1) and the rear door (7) you choose;

7



Put the side panels (2) and...

8



You are ready to go!

**Cautions** – To avoid any damage please ensure that is adequate space between each unit for good airflow. Take care to not exceed the 40°C – 104°F temperature.

Accessories you can use with your Norma:

- Blank Panel;
- Shelves;
- Sliding Shelf;
- Drawer;
- Digital Temperature Unit;
- Unit Fan's;
- Cable Management;
- Password Lock.