

DRAWER

DESCRIPTION

barpa Drawer it's suitable for barpa cabinets. You can keep in your cabinet whatever you want in a secure way. Sliding Shelf can elongate to 450mm.



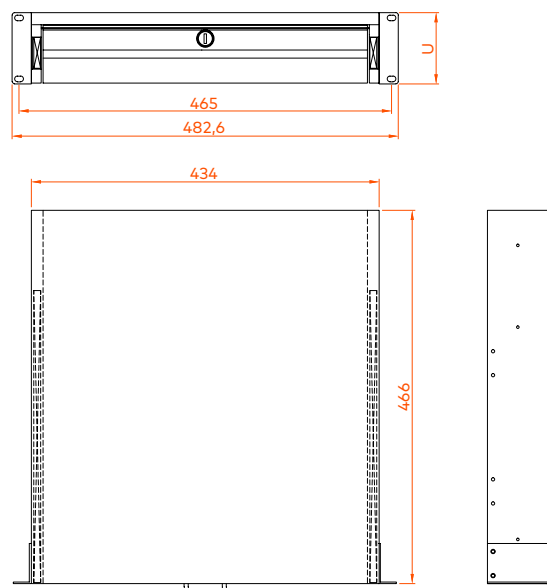
SPECIFICATIONS

Material	SPCC Cold Rolled Steel
Static Load Capacity (Kg)	35
Color	Black

LOGISTICS INFORMATION

Code	Depth (mm)	U's	Unit Weight (kg)	Size (mm)	Quantity (un)
82390301100	457,2	2	8,25	560x540x150	1
82390302100		3	9,70	570x550x200	1

TECHNICAL DRAWING (mm)





DRAWER



As part of our goal to achieve quality excellence, our barpa System Warranty can give you 25 years products and solution assurance of compliance with the industry performance standard comparing with the class installed. This warranty applies to network infrastructure installations that was made by an approved barpa partner using an barpa solution (end-to-end). For more informations go to our website.