

## 1U FAN UNIT

### DESCRIPTION

barpa 1U Fan Unit has 19" standard installation, what makes it perfect for barpa cabinets. Decrease the inner temperature. To use in the middle or bottom of the cabinet.



### FEATURES

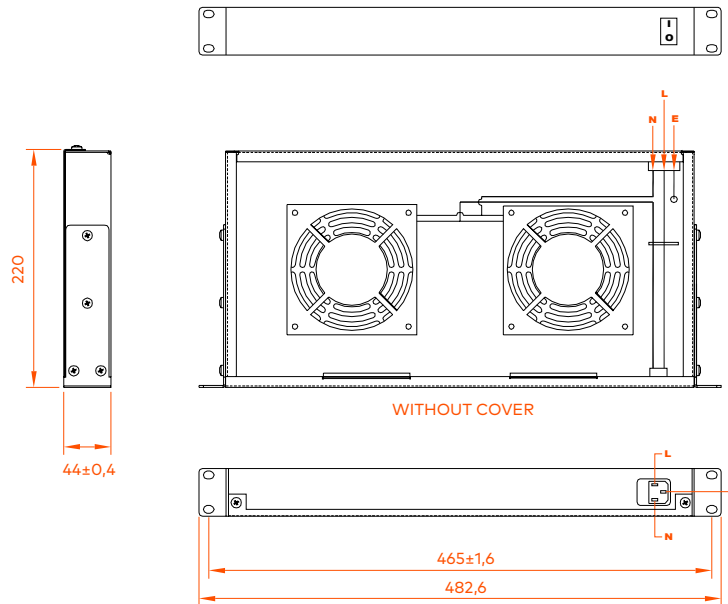
Input (V)	100-231
Input (Hz)	50
Fan Dimensions (mm)	120x120x38
Cable Length (m)	1.9
Work Temperature (°C)	-10 to +50
Material	SPCC Cold Rolled Steel
Color	Black (RAL9004)

### LOGISTICS INFORMATION

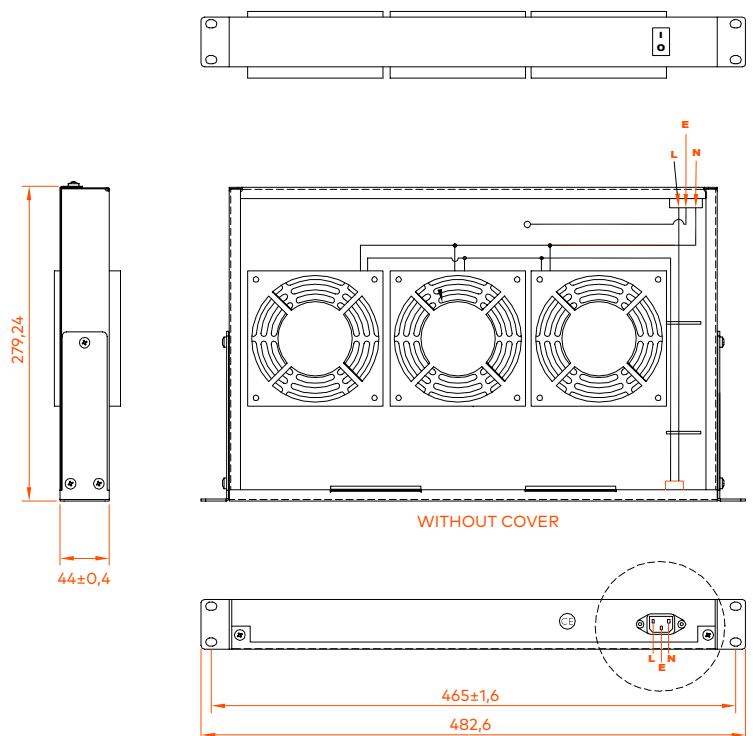
Code	Fan (un)	Type	Weight Unit (kg)	Inner Box		Carton	
				Size (mm)	Quantity (un)	Size (mm)	Quantity (un)
82390506210	2	UK	3,5	510x205x65	1	650x530x180	10
82390506110	2	German	3,5				
82390507210	3	UK	4,38				
82390507110	3	German	4,38				
82390508210	4	UK	5,25				
82390508110	4	German	5,25				

### TECHNICAL DRAWING (mm)

#### 2 FANS



#### 3 FANS



### TECHNICAL DRAWING (mm)

#### 4 FANS

