

1U FAN UNIT

DESCRIPTION

barpa 1U Fan Unit has 19" standard installation, what makes it perfect for barpa cabinets. Decrease the inner temperature. To use in the middle or bottom of the cabinet.



FEATURES

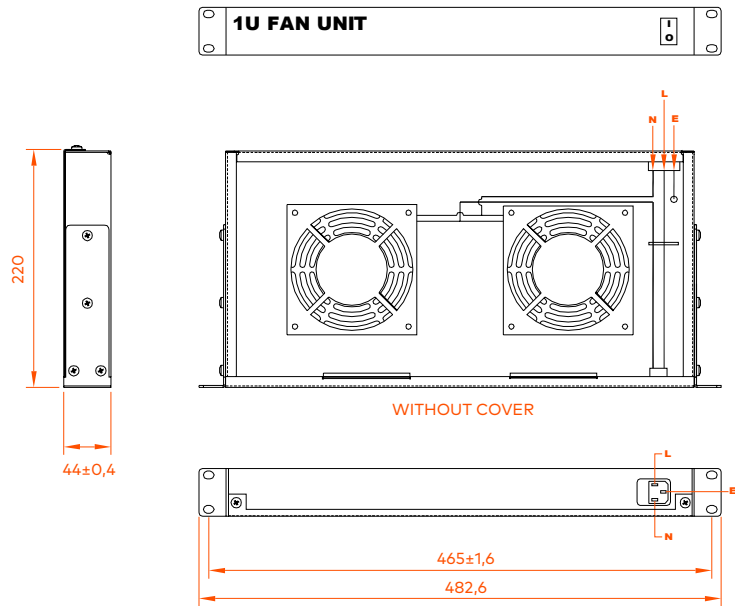
Input (V)	100-231
Input (Hz)	50
Fan Dimensions (mm)	120x120x38mm
Cable Length (m)	1.9
Work Temperature (°C)	-10 to +50
Material	SPCC Cold Rolled Steel
Color	Black (RAL9004)

LOGISTICS INFORMATION

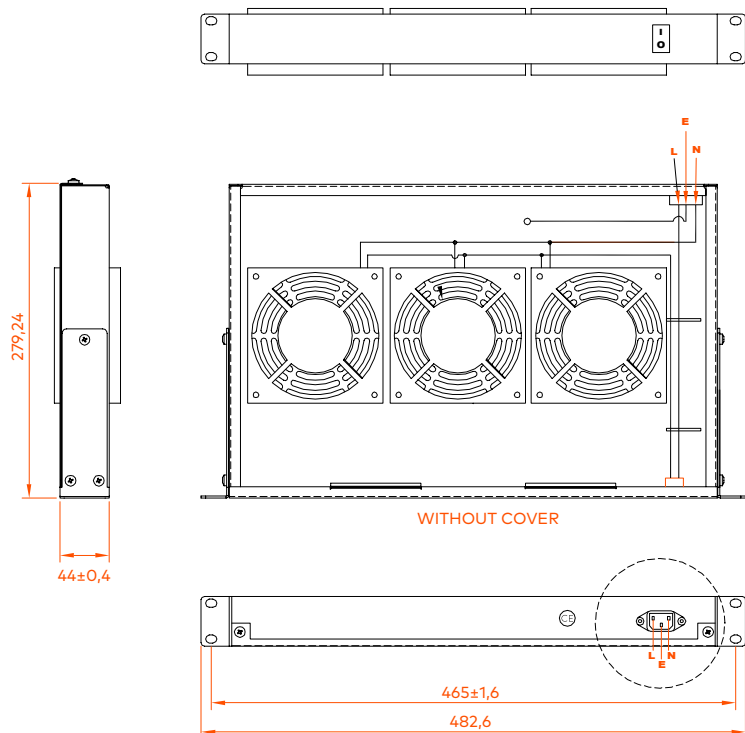
Code	Fan (un)	Type	Weight Unit (kg)	Inner Box		Carton	
				Size (mm)	Quantity (un)	Size (mm)	Quantity (un)
82390506210	2	UK	3,5	510x205x65	1	650x530x180	10
82390506110	2	German	3,5				
82390507210	3	UK	4,38				
82390507110	3	German	4,38				
82390508210	4	UK	5,25				
82390508110	4	German	5,25				

TECHNICAL DRAWING (mm)

2 FANS



3 FANS



TECHNICAL DRAWING (mm)

4 FANS

