



## SERIES PYXIS 1

### DESCRIPTION

barpa Pyxis 1 cabinet was designed for network rooms with low ventilation. It's available in a range of heights and accommodates a load of up to 250 kg. The best way to get the most of this cabinet is with barpa accessories, you should get them separately. Order this product either assembled or in flat packs. Order this product either assembled or in flat packs.



### APPLICABLE STANDARDS

• EN60603-7-51 • IEEE 802.3at • ANSI/TIA-568-D



### SPECIFICATIONS

Material	SPCC Cold Rolled Steel; Column: 1.5mm. Others 2.0mm
Loading Capacity (kg)	250
Color	Black (RAL9004)
Ventilation (%)	100
Product Family	Series Pyxis

### FEATURES

Modular design, easily assemble and disassemble for delivery, low-cost
Many optional accessories according to requirements (cable management slot, removable working panel, etc.)

### ORDER INFORMATION

Code	U	Width (mm)	Width (mm)	Mounted Height (mm)	Dimensions (mm)		Weight (kg)
					Pack 1	Pack 1	
82331290606	29			1288	1420x280x140	30	
82331330606	33			1660	1600x280x140	32	
82331380606	38	600	600	1822	1820x280x140	35	
82331420606	42			2000	2000x280x140	36	
82331470606	47			2222	2220x280x140	40	

**Note:** To order the assembled rack, add "M" at the end of the code.

This document is authored and owned by barpa . It is forbidden to reproduce in whole or in part without mentioning its authorship, as well as modification of its content or context. All specifications are subject to change without notice. The pictures/drawings are merely illustrative.

More information: [info@barpa.eu](mailto:info@barpa.eu) or in [www.barpa.eu](http://www.barpa.eu)

### ORDER INFORMATION

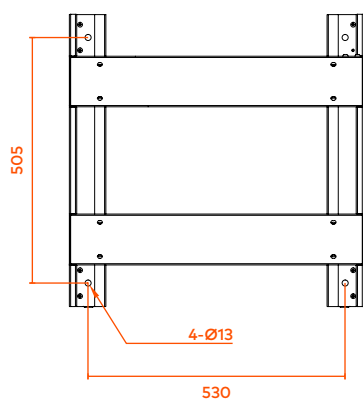
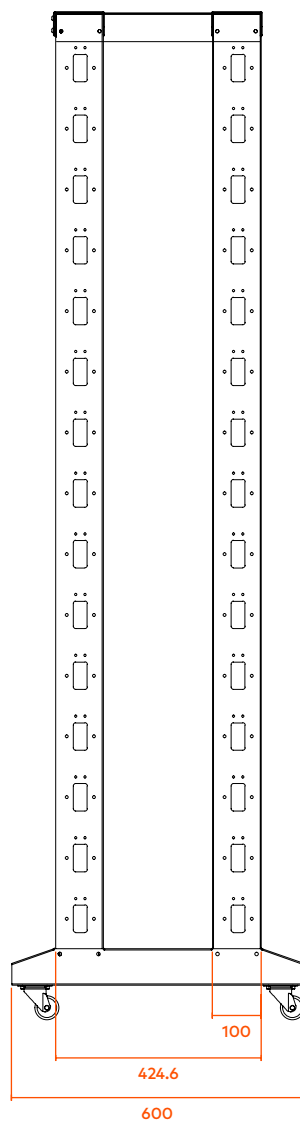
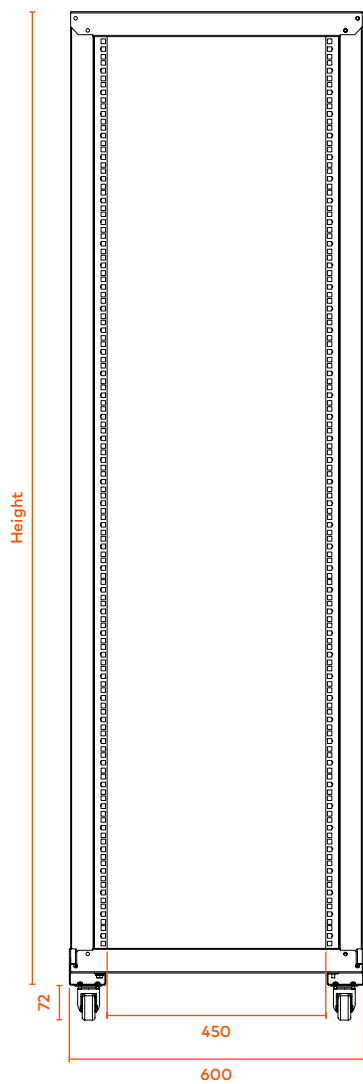
Pack	Description	Quantity
1	Column	4
	Plinth	2
	Support Cross Beam	2
	Castors	4
	Screw and Nuts	20 Sets (24U-33U) 40 Sets (38U-47U)
	Tools	1pc spanner

### PACKAGING

This images are merely illustratives. We want you to see the importance we attach to the packaging.  
We always work with products and materials that are easy to use.



### TECHNICAL DRAWING (mm)



Code	Height
82331290606	1288
82331330606	1660
82331380606	1822
82331420606	2000
82331470606	2222



## SERIES PYXIS 1

---



To order the assembled rack, add "M" at the end of the code.  
Please specify in your request.



As part of our goal to achieve quality excellence, our barpa System Warranty can give you 25 years products and solution assurance of compliance with the industry performance standard comparing with the class installed. This warranty applies to network infrastructure installations that was made by an approved barpa partner using an barpa solution (end-to-end). For more informations go to our website.

This document is authored and owned by barpa . It is forbidden to reproduce in whole or in part without mentioning its authorship, as well as modification of its content or context. All specifications are subject to change without notice.  
The pictures/drawings are merely illustrative.

More information: [info@barpa.eu](mailto:info@barpa.eu) or in [www.barpa.eu](http://www.barpa.eu)

**datasheet n° b39\_4 | date: 01/25**

approved by: Ana Barbosa