



FIELD TERM PLUG THE LYRA RJ45 CAT.6A STP

DESCRIPTION

Designed for fast, reliable and tool-free termination making it ideal for high-performance data networks and demanding industrial environments. Its compact and robust design ensures easy installation in confined spaces. The durable shielding provides effective protection against external interference, guaranteeing stable signal transmission.



APPLICABLE STANDARDS

- ISO/IEC 11801 ed.2.2 • DIN EN 50173-1 • IEC 60603-7-51
- ANSI/TIA 568.2-D • IEEE 802.3af • IEC 60529
- EN IEC 62368-1:2024+A11:2024 • EN 55032:2015+A11:2020
- EN 55035:2017+A11:2020 • Directive 2011/65/EU (RoHS)

FEATURES

Category 6A acc. to ISO/IEC 11801
T568-B Wiring Schemes
Shielded zinc die-cast housing for enhanced protection against external electrical interference
Compatible with 23–24 AWG cables for flexible installation
Pre-Assembled Protection Cap
Performance supporting up to 10 Gigabit Ethernet
Tool-free and easy installation
Supports multiple re-terminations

MECHANICAL CHARACTERISTICS

Shield Material	Zinc Die-Cast
Contact Material	Phosphor Bronze
Color	Silver and black protection cap
Cable Outer diameter	5,0 - 9,0 mm
Life	≥ 1000 mating cycles
Insertion Force	≤ 30N
Contact Finishing	50μ" Gold Plate

ELECTRICAL CHARACTERISTICS

Contact Resistance	≤ 20 mΩ
Insulation Resistance	≥ 500 MΩ

This document is authored and owned by barpa. It is forbidden to reproduce in whole or in part without mentioning its authorship, as well as modification of its content or context. All specifications are subject to change without notice. The pictures/drawings are merely illustrative.

More information: info@barpa.eu or in www.barpa.eu

datasheet n° b211_0 | date: 04/26

approved by: Ana Barbosa



FIELD TERM PLUG THE LYRA
RJ45 CAT.6A STP

ENVIRONMENTAL CHARACTERISTICS

Protection Against Ingress	IP50
Operating Temperature (°C)	-40 to +70

VOLTAGE PROOF

Contact - contact	≥ 750VAC
Contact - Shield	≥ 1000VAC

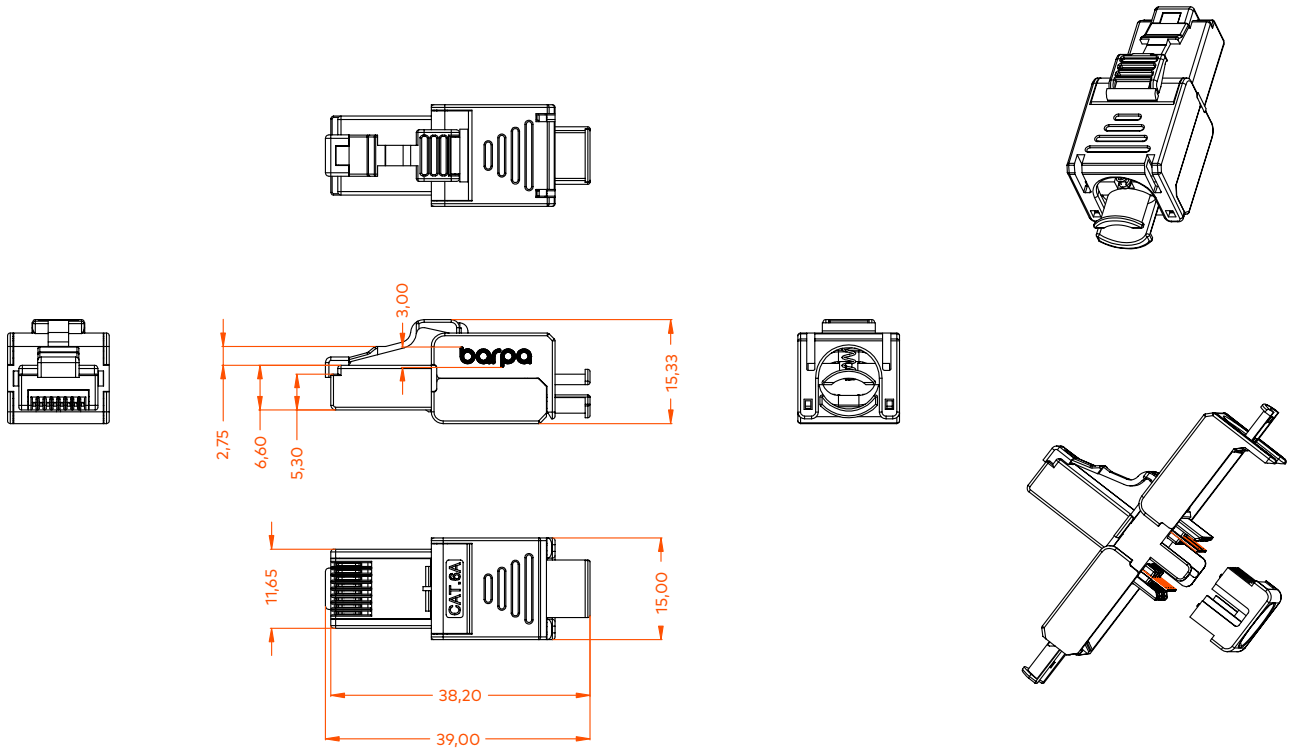
COPPER CONDUCTOR DIAMETER

Solid 0,51 - 0,64 mm AWG24 - AWG22/1
Stranded 0,46 - 0,76 mm AWG27 - AWG22/7
Stranded 0,61 - 0,78 mm AWG24 - AWG22/19

ORDER INFORMATION

Code	PLA Bag			Inner Box			Outer Box			EAN
	Unit Weight (kg)	Size (mm)	Quantity (un)	Size (mm)	Quantity (un)	Weight (kg)	Size (mm)	Quantity (un)	Weight (kg)	
82243322000-1	0,01	100x70	1	165x80x64	12	0,19	540x175x212	252	4,40	5608445046352

TECHNICAL DRAWING (mm)



PACKAGING

This images are merely illustratives. We want you to see the importance we attach to the packaging.
We always work with products and materials that are easy to use.



Inner Box



PLA Bag



As part of our goal to achieve quality excellence, our barpa System Warranty can give you 25 years products and solution assurance of compliance with the industry performance standard comparing with the class installed. This warranty applies to network infrastructure installations that was made by an approved barpa partner using an barpa solution (end-to-end). For more informations go to our website.