

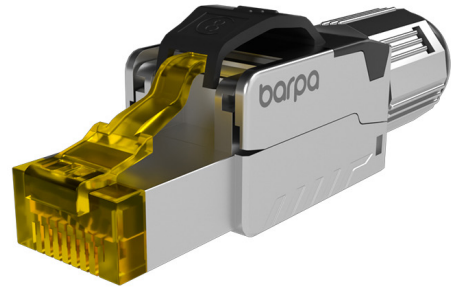


FIELD TERM PLUG RJ45 CAT.8 STP

DESCRIPTION

Simple to assemble for patch cables in different lengths, made mainly for industrial usage.

Easy to install, is the most common way to recognize this barpa product.



APPLICABLE STANDARDS

• IEC 606037-7-81 • ISO/IEC 11801 • EN50173-1 • ANSI/TIA-568.2-D • UL-94-V-0 • IEC 60512-99-002 • UL-1863 • UL-2043



POE

• IEEE 802.3bt PoE Type 1, 2, 3 e 4

FEATURES

Compatibility with CAT.8

25 Years System Warranty

40 Gigabit Ethernet

Hardened and Tempered finish to prevent external electrical interference

Pre-Assembled Protection Cap

QR Code with Instructions Manual

MECHANICAL AND PHYSICAL SPECIFICATIONS

Shield Material	Zinc Die-Cast Nickel-Plated
IDC Contact	Phosphor bronze with tin-plated
Contact Finishing	Phosphor bronze with 50µ" gold plate
Color	Silver
Cable Way Out (Orientation)	180°
Wiring Scheme	T568A/B
Number of IDC Contacts	8
Insertion Life	≥ 750 mating cycles
Insertion Force	≤ 30 N
Cable Outer Diameter (mm)	7,0 – 8,5
Insulation Diameter (mm)	1,2 – 1,7

This document is authored and owned by barpa . It is forbidden to reproduce in whole or in part without mentioning its authorship, as well as modification of its content or context. All specifications are subject to change without notice.

More information: info@barpa.eu or in www.barpa.eu

datasheet n° b157_1 | date: 01/25

approved by: Ana Barbosa



FIELD TERM PLUG
RJ45 CAT.8 STP

ELECTRICAL CHARACTERISTICS

Contact Resistance	≤ 20 mΩ
Insulation Resistance	≥ 500 MΩ

ENVIRONMENTAL CHARACTERISTICS

Protection Against Ingress	IP20
Operating Temperature	-10°C to +60°C
Storage Temperature	-40°C to +60°C

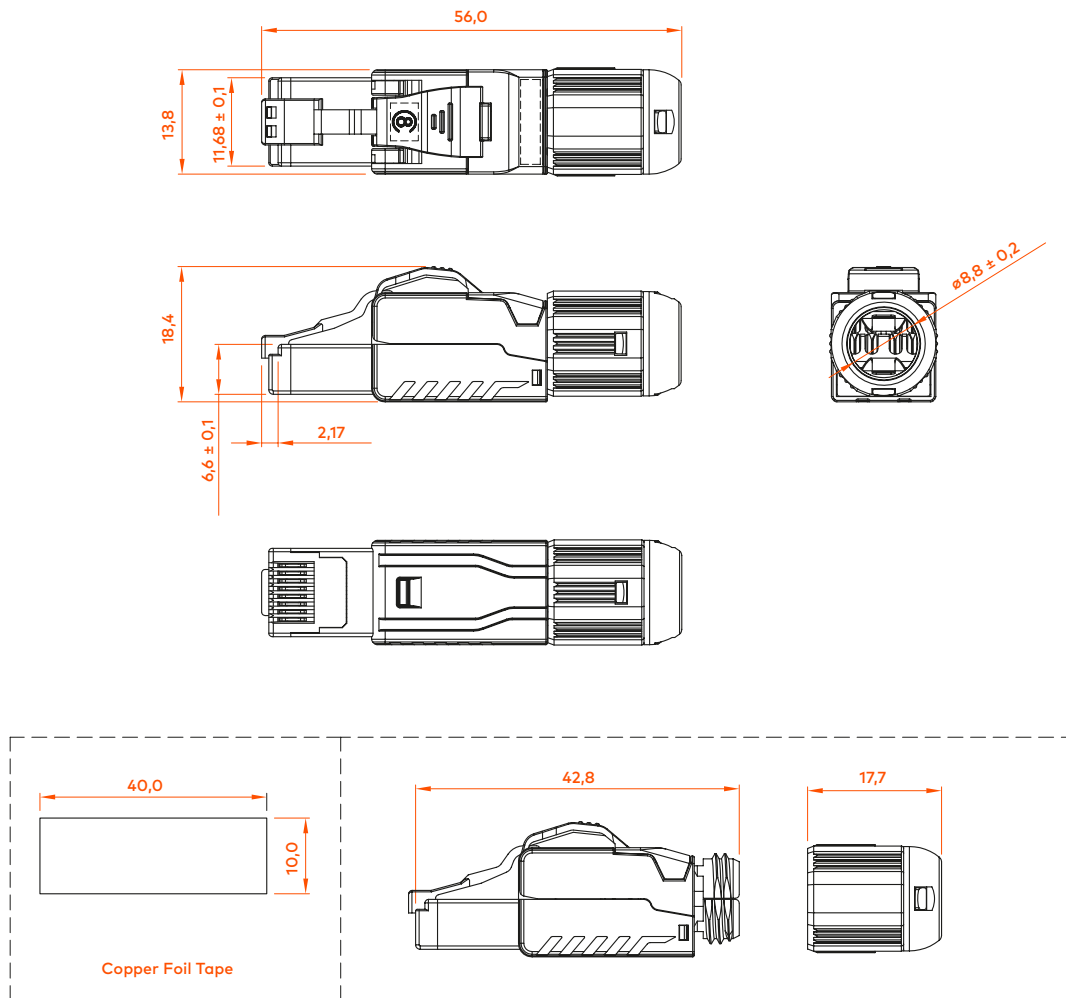
VOLTAGE PROOF

Contact - Contact	1000V/60 sec
Contact - Shield	1500V/60 sec

ORDER INFORMATION

Code	Minimum Order Quantity (MOQ)	Inner Box			Outer Box		
		Quantity (un)	Dimensions (mm)	Weight (kg)	Quantity (un)	Dimensions (mm)	Weight (kg)
82246122180	1	50	230x230x70	1,28	500	480x400x250	12,46

TECHNICAL DRAWING (mm)





FIELD TERM PLUG
RJ45 CAT.8 STP

CUSTOMIZATION - HIGGS BY BARPA

TAILOR MADE

You can order this customized, what you need to consider:

Choose the cable length you want



PACKAGING

This images are merely illustratives. We want you to see the importance we attach to the packaging.
We always work with products and materials that are easy to use.



PLA packaging instead of plastic

Explore more of our Draco solution.



As part of our goal to achieve quality excellence, our barpa System Warranty can give you 25 years products and solution assurance of compliance with the industry performance standard comparing with the class installed. This warranty applies to network infrastructure installations that was made by an approved barpa partner using an barpa solution (end-to-end). For more informations go to our website.

This document is authored and owned by barpa . It is forbidden to reproduce in whole or in part without mentioning its authorship, as well as modification of its content or context. All specifications are subject to change without notice.
The pictures/drawings are merely illustrative.

More information: info@barpa.eu or in www.barpa.eu

datasheet n° b157_1 | date: 01/25
approved by: Ana Barbosa