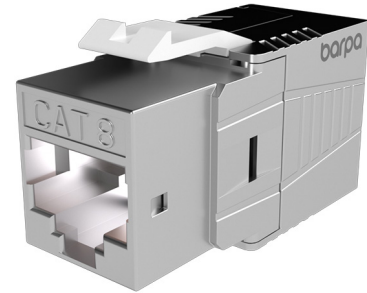




KEYSTONE JACK CAT8 STP TOOLLESS

DESCRIPTION

The barpa Category 8 STP (Screened Twisted Pair) jack belongs to the barpa 40G cabling system. This jack has unique and simple design done to be easy for termination because is toolless but always thinking about excellent electrical performance. Supports all applications up to 2000Mhz.



APPLICABLE STANDARDS

- IEC 60603-7-81 • ISO/IEC 11801 • IEC 60512-99-002 • EN 50173-1 • ANSI/TIA-568.2-D
- ANSI/TIA 1096-A • UL-94-V-0

PoE

- IEEE 802.3bt PoE Type 1, 2, 3 and 4



FEATURES

Compatibility with CAT.8
25 Years System Warranty
40 Gigabit Ethernet
Easy to be terminated, low attenuation loss and high return loss
Suitable for patch panel and faceplate mounting
Compatibility with barpa Faceplates and Patch Panels
QR Code with Instructions Manual

PHYSICAL AND MECHANICAL SPECIFICATIONS

Shield Material	Zinc Alloy
IDC Contact	Nickle Plated
RJ45 Contact	Phosphor bronze with 50µ" gold plate
Color	Silver
Cable Way Out (Orientation)	180°
Wiring	T568A/B
Number of IDC Contacts	8
IDC Contacts – Solid Cable	Accept 22-24 AWG solid wires
Insertion Life	750 times plugging
Plug Inforce (N)	30
Cable OD (mm)	5,0 – 8,5
IDC Contacts Life	Min. 20 cycles

This document is authored and owned by barpa . It is forbidden to reproduce in whole or in part without mentioning its authorship, as well as modification of its content or context. All specifications are subject to change without notice.

More information: info@barpa.eu or in www.barpa.eu

datasheet n° b156_1 | date: 01/25

approved by: Ana Barbosa



KEYSTONE JACK CAT8 STP TOOLLESS

ELECTRICAL CHARACTERISTICS

Frequency Range (MHz)	1-2000Mhz
Contact Resistance (mΩ Max)	200
Insulation Resistance (MΩ Min 500V DC)	500
Dielectric Strength (V RMS 60Hz/1min)	Contact to Contact - 1000 Contact to Shield - 1500
Rated Current (A)	1

ENVIRONMENTAL CONDITIONS

Operating Temperature (°C)	-10°C to +60°C
Storage Temperature (°C)	-40°C to +70°C

TECHNICAL PERFORMANCE

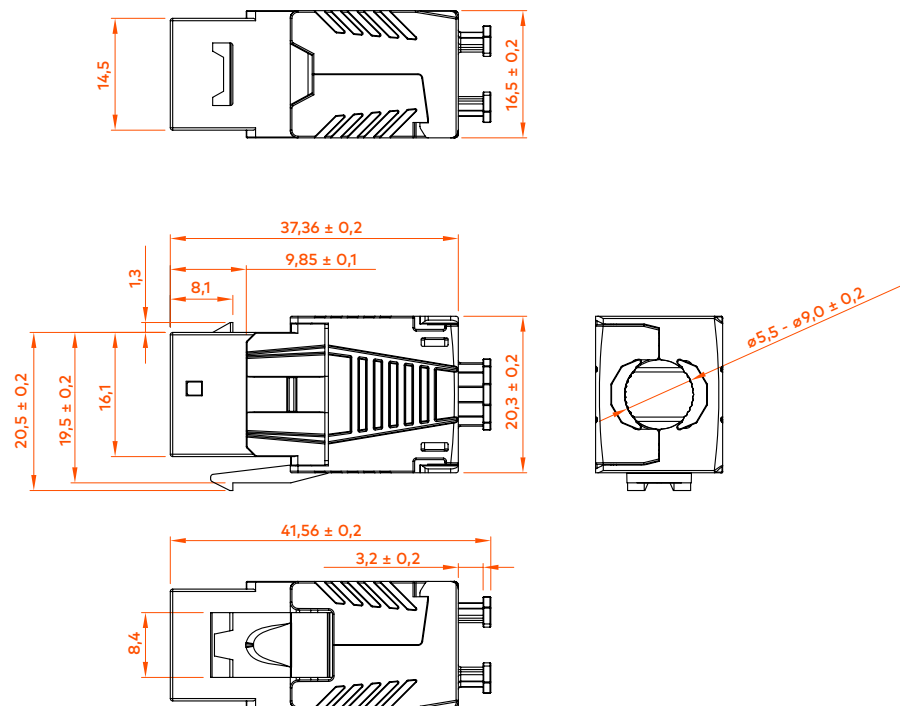
Frequency (MHz)	NEXT (GWC)	PS NEXT (GWC)	ACR-F (GWC)	RL (GWC)
1,0	65,0	62,0	65,0	19,1
4,0	63,8	60,8	60,4	21,0
8,0	58,9	55,9	54,3	21,0
10,0	57,3	54,3	52,4	21,0
16,0	53,9	50,9	48,3	20,0
20,0	52,3	49,3	46,4	19,5
25,0	50,7	47,7	44,4	19,0
31,3	49,1	46,1	42,5	18,5
62,5	44,0	41,0	36,5	18,0
100,0	40,5	37,5	32,4	18,0
200,0	35,3	32,3	26,4	14,4
250,0	33,6	30,6	24,4	13,2
350,0	31,1	28,1	21,5	11,5
450,0	29,2	26,2	19,3	10,2
500,0	28,4	25,4	18,4	10,0
600,0	26,2	23,2	16,8	10,0
700,0	24,3	21,3	15,5	9,5
800,0	22,5	19,5	14,3	9,0
900,0	21,0	18,0	13,3	8,5
1000,0	19,6	16,6	12,4	8,0
1600,0	12,9	9,9	8,3	8,0
2000,0	9,6	6,6	6,4	6,2

GWC = Guaranteed Worst Case

ORDER INFORMATION

Code	Minimum Order Quantity (MOQ)	Inner Box			Outer Box		
		Quantity (un)	Dimensions (mm)	Weight (kg)	Quantity (un)	Dimensions (mm)	Weight (kg)
82246322000-1	1	30	200x140x100	0,84	300	535x313x234	8,10

TECHNICAL DRAWING (mm)





KEYSTONE JACK
CAT8 STP TOOLLESS

CUSTOMIZATION - HIGGS BY BARPA

TAILOR MADE

You can order this customized, what you need to consider:

Choose the cable length you want



PACKAGING

This images are merely illustratives. We want you to see the importance we attach to the packaging.
We always work with products and materials that are easy to use.



PLA packaging instead of plastic

Explore more of our Draco solution.



As part of our goal to achieve quality excellence, our barpa System Warranty can give you 25 years products and solution assurance of compliance with the industry performance standard comparing with the class installed. This warranty applies to network infrastructure installations that was made by an approved barpa partner using an barpa solution (end-to-end). For more informations go to our website.

This document is authored and owned by barpa . It is forbidden to reproduce in whole or in part without mentioning its authorship, as well as modification of its content or context. All specifications are subject to change without notice.
The pictures/drawings are merely illustrative.

More information: info@barpa.eu or in www.barpa.eu

datasheet n° b156_1 | date: 01/25
approved by: Ana Barbosa