



DIN RAIL
KEYSTONE RJ45 HOLDER

DESCRIPTION

The faceplates from barpa are especially design to RJ45 Keystone Jack applications. They are easy to install and fit in DIN Rail standard 35 mm format. With shutters for dust protection and labeling windows for faceplate identification.



STANDARDS

• IEC 60529; • IEC 60603-7; • IEC 60068-2.

TECHNICAL CHARACTERISTICS

Dimensions	7,85x1,80x6,36 mm
Color	Gray (RAL 7035)
Material	High Quality PC
Number of ports	1
Type	DIN Rail
Style	Industry
Applied references	barpa STP Keystone Jack - 82242122180 ; 82243122180
Label Dimensions (mm)	14x9 (Template available on our website)

ENVIRONMENTAL CONDITIONS

Operating Temperature (°C)	0 to 50
Storage Temperature (°C)	-10 to 60

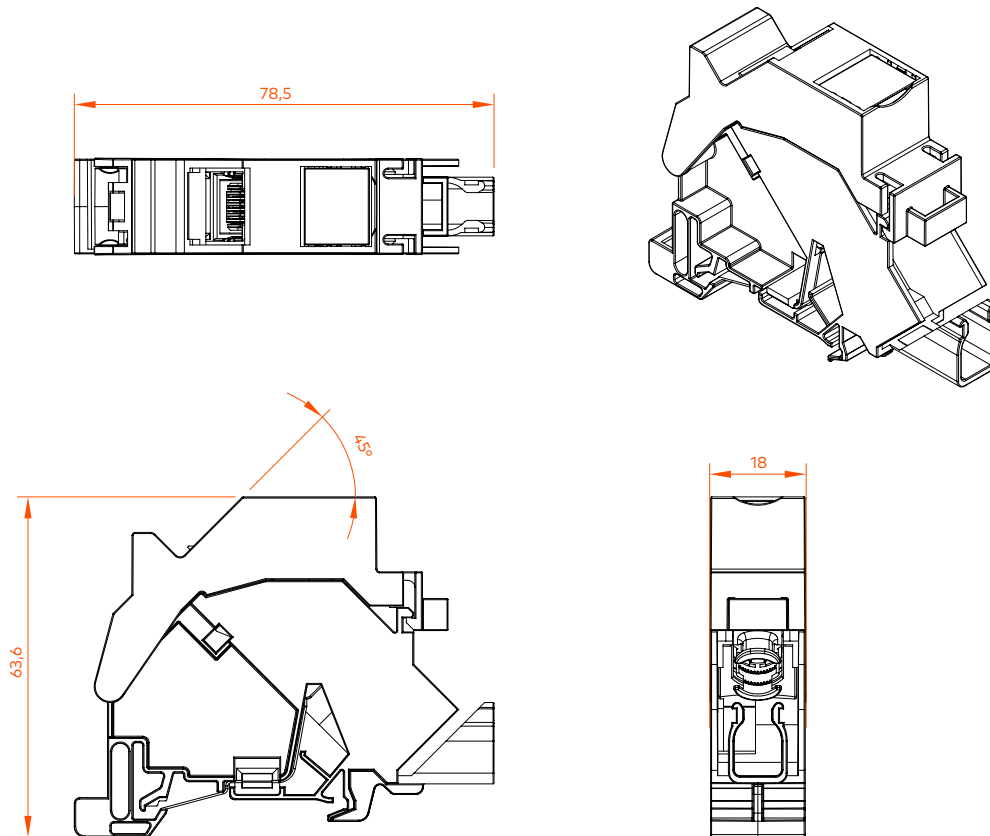
LOGISTIC INFORMATION

Code	Description	EAN	Polybag			Inner Box			Outer Box		
			Quant. (un)	Weight (kg)	Dimensions (mm)	Quant. (un)	Weight (kg)	Dimensions (mm)	Quant. (un)	Weight (kg)	Dimensions (mm)
82250530011	DIN Rail Keystone RJ45 holder w/ 1 Port Gray (RAL7035)	5608445032089	1	0,01	90,0 x 38,6 x 132,0	10	0,20	230,0 x 90,0 x 90,0	160	4,00	380x240x365

This document is authored and owned by barpa . It is forbidden to reproduce in whole or in part without mentioning its authorship, as well as modification of its content or context. All specifications are subject to change without notice. The pictures/drawings are merely illustrative.

More information: info@barpa.eu or in www.barpa.eu

TECHNICAL DRAWING (mm)



PACKAGING

This images are merely illustratives. We want you to see the importance we attach to the packaging.
We always work with products and materials that are easy to use.

