

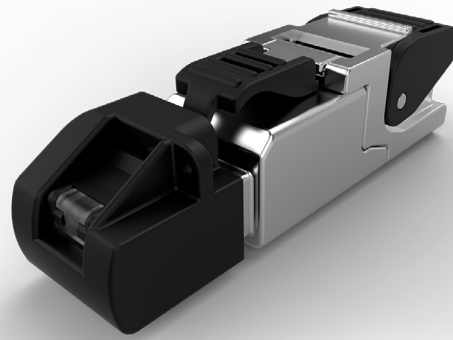


FIELD TERM PLUG THE LYRA RJ45 CAT.6A STP

DESCRIPTION

Simple to assembly, made mainly for industrial usage.

Simple to attach, is the most common way to recognize this barpa product.



APPLICABLE STANDARDS

- EN60603-7-51 • IEEE 802.3at • ANSI/TIA-568-D
- ISO/IEC 11801 • DIN EN 50173-1 • IEEE 802.3bt
- IEEE 802.3af • IEEE 802.3an • IEC 60529 • UL94 • RoHS
- UL1863 • UL2043



FEATURES

Category 6A acc. to ISO/IEC 11801
T568-B Wiring Schemes
Hardened and Tempered finish to prevent external electrical interference
Long release latch
Pre-Assembled Protection Cap
Power over Ethernet plus (PoE+) acc. to IEEE 802.3at
10 Gigabit Ethernet

MECHANICAL CHARACTERISTICS

Shield Material	Zinc Die-Cast Nickel-Plated
Color	Silver and black protection cap
Cable Outer diameter	5.0 – 9.0 mm
Insulation Diameter	1,0 – 1,6 mm
Life	≥ 750 mating cycles
Insertion Force	≤ 30N
Reusable IPC	≤ 4x

ELECTRICAL CHARACTERISTICS

Contact Resistance	≤ 20 mΩ
Insulation Resistance	≥ 500 MΩ

ENVIRONMENTAL CHARACTERISTICS

Protection Against Ingress	IP 20
Temperature	-40°C to +85°C

This document is authored and owned by barpa . It is forbidden to reproduce in whole or in part without mentioning its authorship, as well as modification of its content or context. All specifications are subject to change without notice. The pictures/drawings are merely illustrative.

More information: info@barpa.eu or in www.barpa.eu



FIELD TERM PLUG THE LYRA
RJ45 CAT.6A STP

VOLTAGE PROOF

Contact - contact	≥ 1000V, DC
Contact - Shield	≥ 1500V, DC

COPPER CONDUCTOR DIAMETER

Solid 0,51 - 0,64 mm AWG24 - AWG22/1
Stranded 0,46 - 0,76 mm AWG27 - AWG22/7
Stranded 0,61 - 0,78 mm AWG24 - AWG22/19

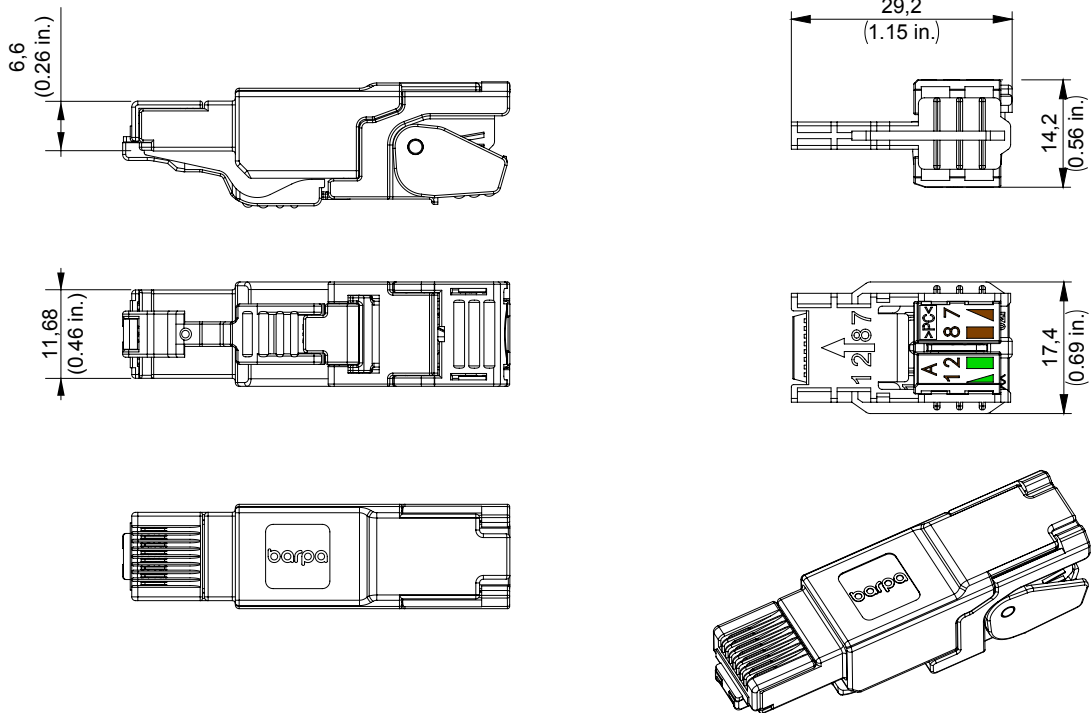
ORDER INFORMATION

Code	Description	Unit Wight (g)	Size (mm)	Quantity (un)	Polybag		Inner Box		Carton		EAN
					Size (mm)	Quantity (un)	Size (mm)	Quantity (un)	Size (mm)	Quantity (un)	
82243322000	The Lyra RJ45 Cat.6A STP	27	10x14,7x2	1	295x135x45	10	330x305x270	100	5608445014566		



FIELD TERM PLUG THE LYRA RJ45 CAT.6A STP

TECHNICAL DRAWING (mm)



PACKAGE - INNER BOX



As part of our goal to achieve quality excellence, our barpa System Warranty can give you 25 years products and solution assurance of compliance with the industry performance standard comparing with the class installed. This warranty applies to network infrastructure installations that was made by an approved barpa partner using an barpa solution (end-to-end). For more informations go to our website.

This document is authored and owned by barpa. It is forbidden to reproduce in whole or in part without mentioning its authorship, as well as modification of its content or context. All specifications are subject to change without notice. The pictures/drawings are merely illustrative.

More information: info@barpa.eu or in www.barpa.eu

datasheet n° b114_2 | date: 01/25
approved by: Ana Barbosa