

## RACK CRUX 2

### DESCRIPTION

Crux 2 cabinet is the wall mount bracket of the barpa range of cabinets. It's available in a range of heights and depths. The best way to get the most of this cabinet is with barpa accessories, you should get them separately. Perfect for versatile solutions as small networks, allowing to save space.



### FEATURES

19" standard installation

For multiple purposes

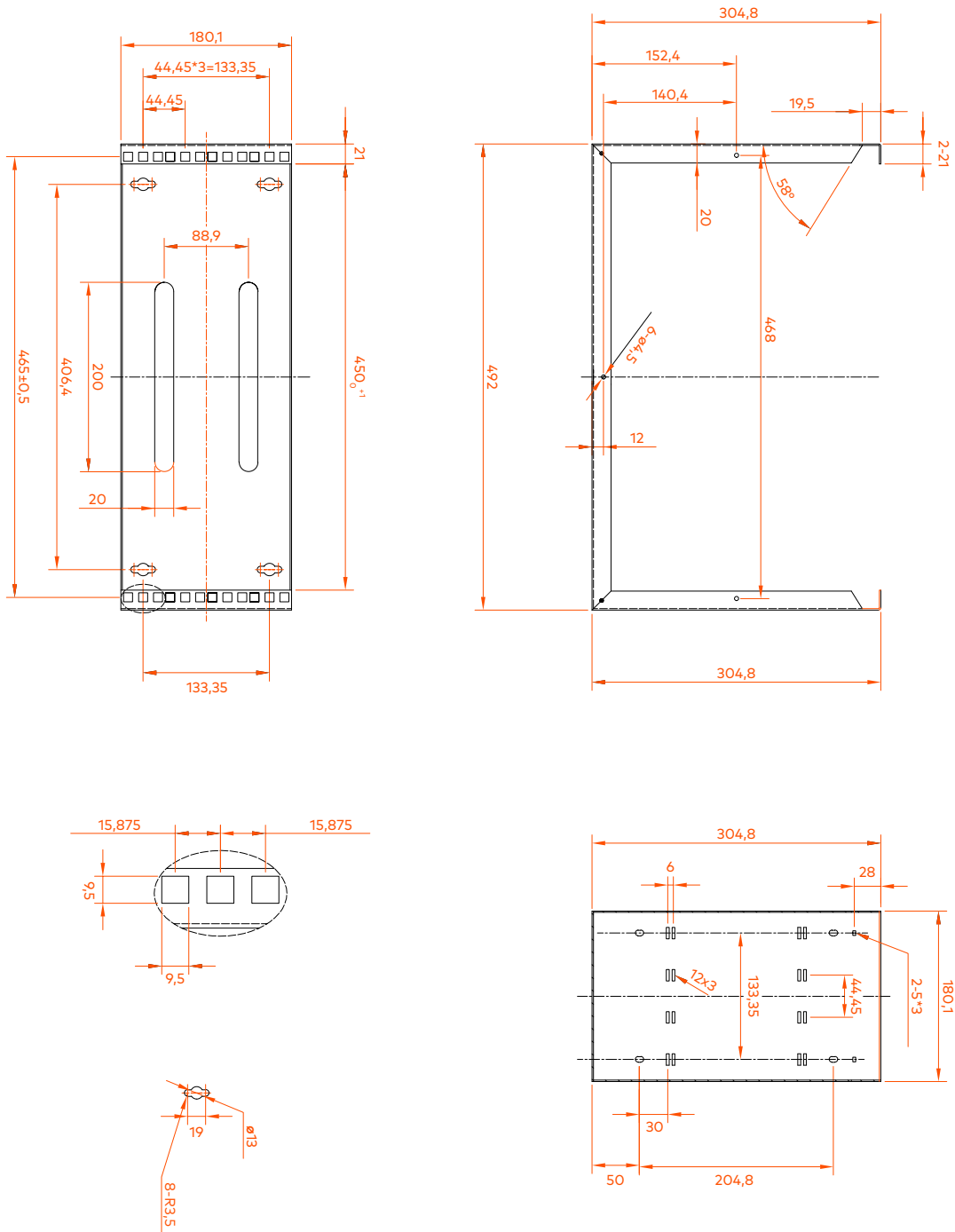
Black color

Powder painted steel construction

### ORDER INFORMATION

Code	Description	U	Quantity (un)	Width (mm)	Dimensions (mm)		Weight (kg)	
					Pack 1	Pack 1		
82311020600	Crux 2 2U	2			550x120x190	2		
82311030600	Crux 2 3U	3	1	6" - 152.4 mm	550x170x200	2		
82311040600	Crux 2 4U	4			550x210x190	2		
82311060000	Cover 6"	-	2		550x110x220	2		
82311041200	Crux 2 4U	4		12" - 304.8 mm	520x210x330	3		
82311071200	Crux 2 7U	7	1		520x330x320	5		
82311120000	Cover 12"	-	2		550x110x350	3		

### TECHNICAL DRAWING (mm)



### PACKAGING

---

This images are merely illustratives. We want you to see the importance we attach to the packaging.  
We always work with products and materials that are easy to use.

