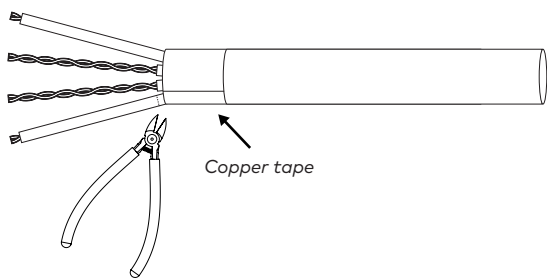


Instruction Manual Keystone Jack - STP 22-26 AWG Toolless

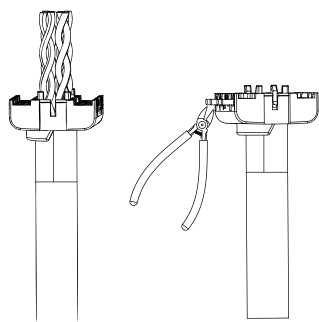
- 1 Cut the cable and pull the rip cord and strip the jacket.



- 2 Cut the foil shielding approx. 15mm and wrap the copper tape with drain wire around the cable jacket.

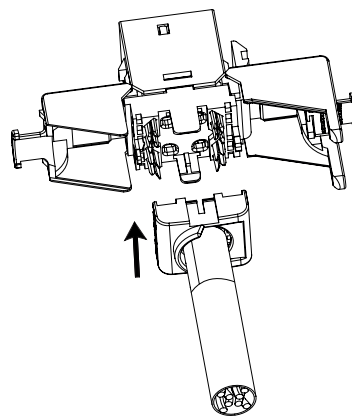


- 3 Insert the pairs through the cap slots according to TIA568A/B wiring instruction label and trim the wires flush.

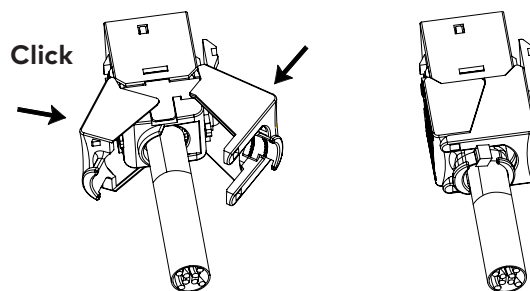


It is strong recommended that the tip of the wire protudes only 0,1 mm.

- 4 Match the number in cap with the corresponding number on the keystone. Press the cap down onto the keystone and make sure that the wires are deeper than the tiny teeth inside of keystone slots.



- 5 Close the outer cap by pushing down both sides until it clicks. For more security please tie up the cable tie that is in the packaging.



If you don't have the copper tape please connect the drain wire to the shielded Shell housing and tie up the cable tie.

	TIA/EIA T568A	TIA/EIA T568B	
Jack Pin Designations	1	White/Green	White/Orange
	2	Green	Orange
	3	White/Orange	White/Green
	6	Orange	Green
	4	Blue	Blue
	5	White/Blue	White/Blue
	7	White/Brown	White/Brown
	8	Brown	Brown

Done! Good Job!

Other languages

