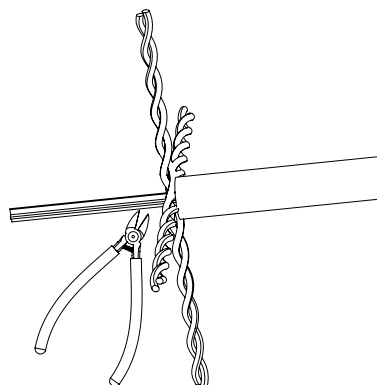


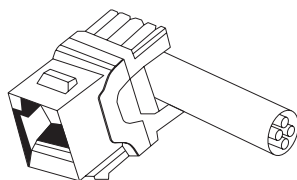
Instruction Manual Keystone Jack - UTP 22-26 AWG 90°/180° Way Out

- 1 Strip approximately 40 mm of the cable jacket.
- 2 Separate the wire into 4 pairs. Cut off the cross filler by diagonal plier.

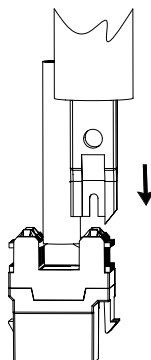


- 3 Insert the wires into the keystone holes according to TIA568A/B wiring instruction label and cutflush.

We recommend that you place the cable by establishing an angle of 90° between this and keystone before you insert the wires into the Keystone holes.

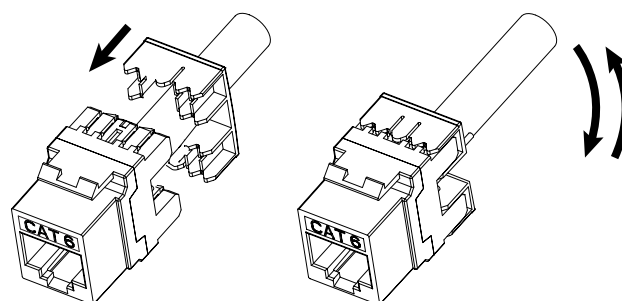


For a better insertion of the wires into the keystone please use a krone/110 IDC tool.



- 4 Take the plastic cap through the solid cable and cover the keystone jack.

The plastic cap can be used for left or right way out.



Done! Good Job!

| | TIA/EIA T568A | TIA/EIA T568B | |
|-----------------------|---------------|---------------|--------------|
| Jack Pin Designations | 1 | White/Green | White/Orange |
| | 2 | Green | Orange |
| | 3 | White/Orange | White/Green |
| | 6 | Orange | Green |
| | 4 | Blue | Blue |
| | 5 | White/Blue | White/Blue |
| | 7 | White/Brown | White/Brown |
| | 8 | Brown | Brown |

Other languages

