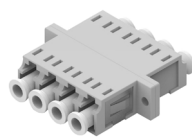


DESCRIPTION

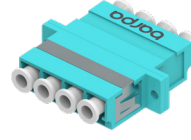
High reliability and precision alignment. Easy to use. Can be widely used for FTT, passive optical network (OPN) and data center. Low Insertion loss and Return loss. Good repeatability, changeability and temperature stabilization. Include dust protections caps. Allow fitting in the bulkheads patch panel either with a nut or with clips.

STANDARDS

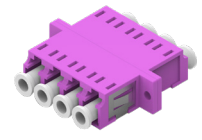
•ISO/IEC 11801; EN 50173-1; IEC 61754-20; IEC 61753-1; IEC 61300; ANSI/TIA-568D



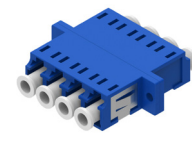
OM2 LC QUADRUPLEX



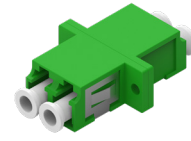
OM3 LC QUADRUPLEX



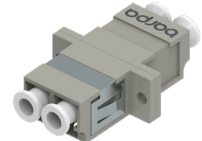
OM4 LC QUADRUPLEX



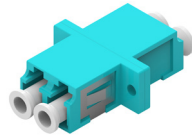
OS2 LC QUADRUPLEX



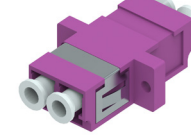
OS2 LC/APC DUPLEX



OM2 LC DUPLEX



OM3 LC DUPLEX



OM4 LC DUPLEX



OPERATING PERFORMANCE

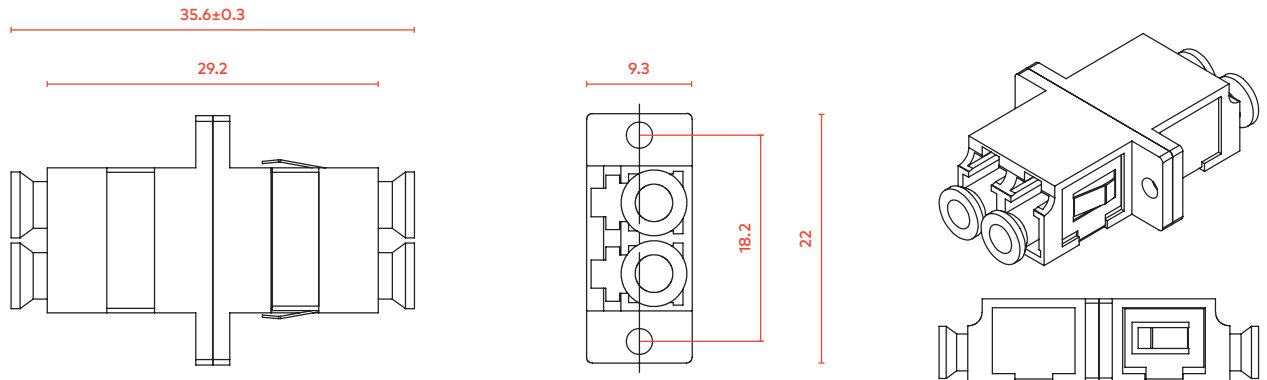
	Singlemode		Multimode
	UPC	APC	UPC
Insertion Loss (dB)	< 0.20	< 0.20	< 0.20
Durability (500 Mating) (dB)	< 0.2	< 0.2	< 0.2
Operation Temperature (oC)	-40 to 80	-40 to 80	-40 to 80
Retention Force (N)	200-600	200-600	200-600
Tensile Strength (kgf)	10	10	10
Housing Material	PEI UL 94 - V1	PEI UL 94 - V1	PEI UL 94 - V1
Mounting Style	Screws	Screws	Screws
Sleeve Material	Ceramics (Grade A)	Ceramics (Grade A)	Ceramics (Grade A)
Clip	Stainless	Stainless	Stainless
Dust Cover	PP	PP	PP
Colour	Blue	Green	OM1/OM2: Gray; OM3: Aqua; OM4: Purple

ORDER INFORMATION

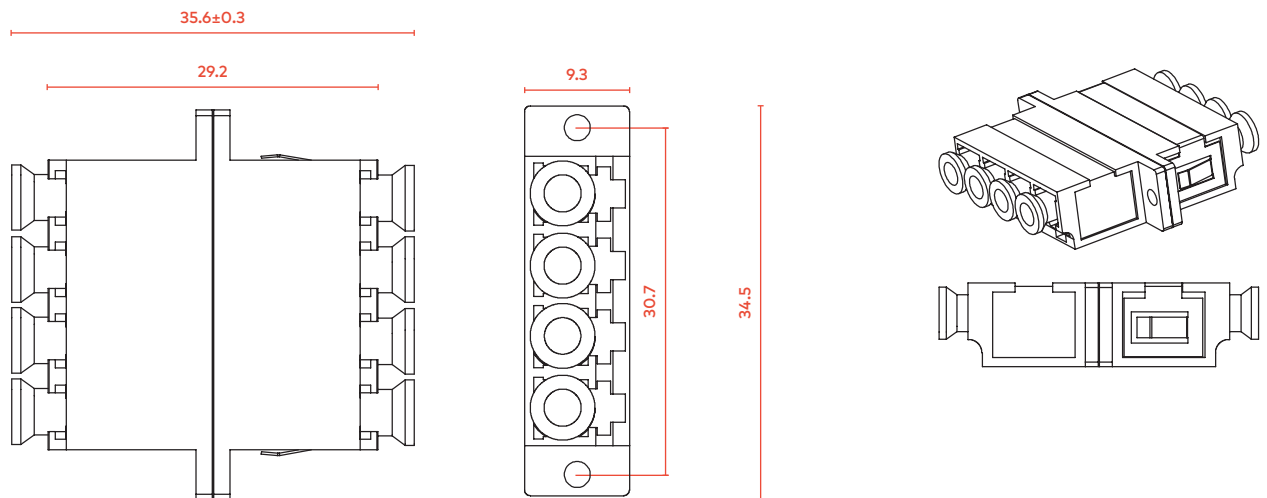
Code	Description	Conector	Category	Simplex/ Duplex	Color	Quantity (un)
81412053010	FO Adapter OM2 LC Duplex	LC	OM2	Duplex	Grey	24
81412054030	FO Adapter OM3 LC Duplex	LC	OM3	Duplex	Aqua	24
81412055060	FO Adapter OM4 LC Duplex	LC	OM4	Duplex	Purple	24
81412051040	FO Adapter OS2 LC Duplex	LC	OS2	Duplex	Blue	24
81412041050	FO Adapter OS2 LC/APC Duplex	LC/APC	OS2	Duplex	Green	24
81413053010	FO Adapter OM2 LC Quadruplex	LC	OM2	Quadruplex	Beige	19
81413054030	FO Adapter OM3 LC Quadruplex	LC	OM3	Quadruplex	Aqua	19
81413055060	FO Adapter OM4 LC Quadruplex	LC	OM4	Quadruplex	Purple	19

TECHNICAL DRAWING (mm)

LC DUPLEX



LC QUADRUPLX



As part of our goal to achieve quality excellence, our barpa System Warranty can give you 25 years products and solution assurance of compliance with the industry performance standard comparing with the class installed. This warranty applies to network infrastructure installations that was made by an approved barpa Partner using an barpa solution (end-to-end). For more informations go to our website.